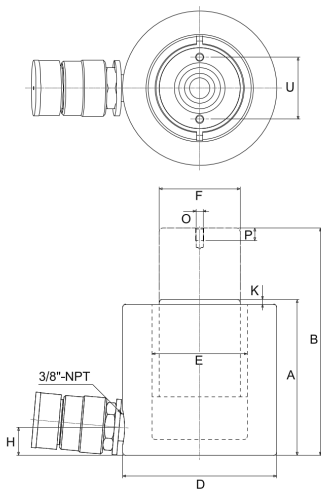


**NSCS-201**

Hydraulic cylinder, 700 bar

BETEX NSCS Compact cylinder, short stroke, single-acting, spring return, 20T class

Technical information

**Your current product variant**

Series	NSCS	Short stroke cylinder
Version	20T	Capacity class 20

Technical data

	20	Capacity class (tons)
s_p	45 mm	Stroke
F_a	198 kN	Advance force, max.
P_{max}	700 bar	Operating pressure, max.
V_{oil}	127 cm ³	Oil capacity
A	98 mm	Height, retracted
B	143 mm	Height, extended
D	97 mm	Outer diameter
E	60 mm	Cylinder bore diameter
F	50,8 mm	Plunger diameter
H	17,5 mm	Base to advance port
K	3 mm	Piston protrusion
O	M5	Plunger female thread
P	9 mm	Plunger thread length
U	39 mm	Piston mounting holes, bolt circle
$\approx m$	5 kg	Weight



View product details on medias

06.07.2026, 23:55:10 UTC

SCHAEFFLER

Additional information

Hard chrome plated and
hardened piston,
Rolled inside of cylinder,
Sandblasted outside
with black nitride coating,
Coupling with dust cap

Product specifics