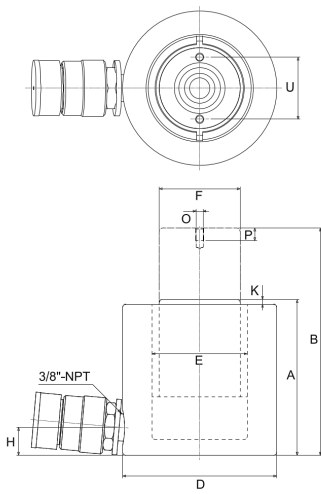


**NSCS-302**

Hydraulic cylinder, 700 bar

BETEX NSCS Compact cylinder, short stroke, single-acting, spring return, 30T class

Technical information

**Your current product variant**

Series	NSCS	Short stroke cylinder
Version	30T	Capacity class 30

Technical data

	30	Capacity class (tons)
s_p	62 mm	Stroke
F_a	309 kN	Advance force, max.
P_{max}	700 bar	Operating pressure, max.
V_{oil}	274 cm ³	Oil capacity
A	117 mm	Height, retracted
B	179 mm	Height, extended
D	107 mm	Outer diameter
E	75 mm	Cylinder bore diameter
F	63,5 mm	Plunger diameter
H	19 mm	Base to advance port
K	3 mm	Piston protrusion
O	M5	Plunger female thread
P	8 mm	Plunger thread length
U	39 mm	Piston mounting holes, bolt circle
$\approx m$	6,8 kg	Weight



View product details on medias

01.05.2026, 18:38:32 UTC

SCHAEFFLER

Additional information

Hard chrome plated and
hardened piston,
Rolled inside of cylinder,
Sandblasted outside
with black nitride coating,
Coupling with dust cap

Product specifics