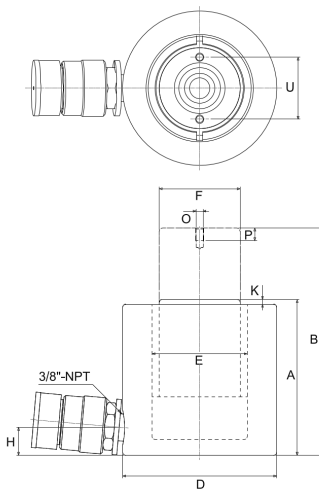


**NSCS-502**

Hydraulic cylinder, 700 bar

BETEX NSCS Compact cylinder, short stroke, single-acting, spring return, 50T class

Technical information

**Your current product variant**

Series	NSCS	Short stroke cylinder
Version	50T	Capacity class 50

Technical data

	50	Capacity class (tons)
s_p	60,5 mm	Stroke
F_a	496 kN	Advance force, max.
P_{max}	700 bar	Operating pressure, max.
V_{oil}	429 cm ³	Oil capacity
A	127 mm	Height, retracted
B	187,5 mm	Height, extended
D	127 mm	Outer diameter
E	95 mm	Cylinder bore diameter
F	70 mm	Plunger diameter
H	19 mm	Base to advance port
K	2 mm	Piston protrusion
O	M5	Plunger female thread
P	8 mm	Plunger thread length
U	39 mm	Piston mounting holes, bolt circle
$\approx m$	10,9 kg	Weight



View product details on medias

14.06.2026, 14:02:40 UTC

SCHAEFFLER

Additional information

Hard chrome plated and
hardened piston,
Rolled inside of cylinder,
Sandblasted outside
with black nitride coating,
Coupling with dust cap

Product specifics