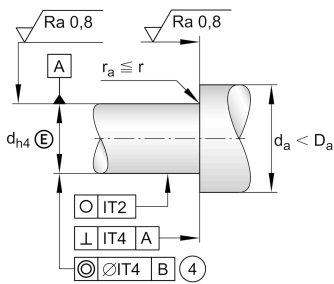
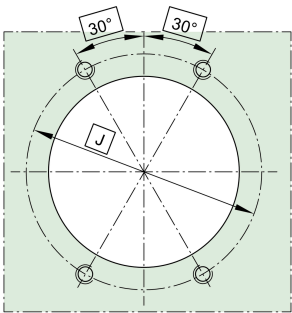
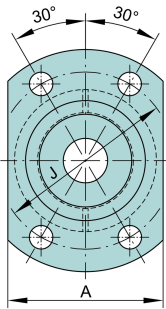


**ZKLFA0640-2Z**

## Axial angular contact ball bearing

Angular contact ball bearing units  
ZKLFA.-2Z, double direction, for screw  
mounting, gap seals on both sides

## Technical information

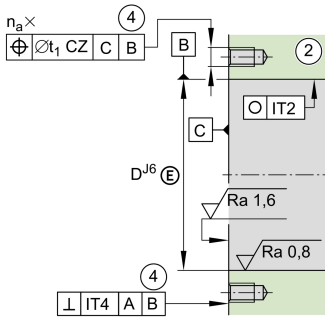
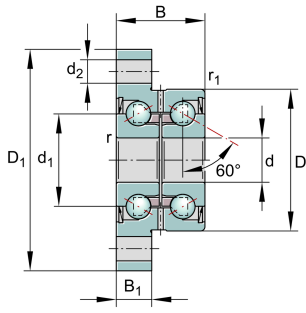


## Your current product variant

|         |    |                                |
|---------|----|--------------------------------|
| Sealing | 2Z | Minimal gap seal on both sides |
|---------|----|--------------------------------|

## Main Dimensions &amp; Performance Data

|                          |              |                                       |
|--------------------------|--------------|---------------------------------------|
| d                        | 6 mm         | Bore diameter                         |
|                          | 0,002 mm     | Bore diameter upper tolerance         |
|                          | -0,003 mm    | Bore diameter lower tolerance         |
| D                        | 24 mm        | Outside diameter                      |
|                          | 0 mm         | Outside diameter upper tolerance      |
|                          | -0,01 mm     | Outside diameter lower tolerance      |
| B                        | 15 mm        | Width                                 |
|                          | 0 mm         | Width upper tolerance                 |
|                          | -0,25 mm     | Width lower tolerance                 |
| C <sub>a</sub>           | 6.900 N      | Basic dynamic load rating, axial      |
| C <sub>0a</sub>          | 8.500 N      | Basic static load rating, axial       |
| C <sub>ua</sub>          | 385 N        | Fatigue load limit, axial             |
| n <sub>G</sub><br>Grease | 19.900 1/min | Limiting speed for grease lubrication |
| n <sub>g</sub>           | 12.000 1/min | Thermally permissible speed           |
| ≈m                       | 59 g         | Weight                                |



### Mounting dimensions

|              |        |                                    |
|--------------|--------|------------------------------------|
| $d_{a \min}$ | 9 mm   | Minimum diameter shaft shoulder    |
| $d_{a \max}$ | 18 mm  | Maximum diameter of shaft shoulder |
| $t_1$        | 0,1 mm | Position tolerance                 |
|              | M4     | Screw size                         |

|       |   |                  |
|-------|---|------------------|
| $n_a$ | 4 | Number of screws |
|-------|---|------------------|

### Dimensions

|       |       |                         |
|-------|-------|-------------------------|
| $d_1$ | 14 mm | Rib diameter inner ring |
|-------|-------|-------------------------|

|            |        |                           |
|------------|--------|---------------------------|
| $r_{\min}$ | 0,3 mm | Minimum chamfer dimension |
|------------|--------|---------------------------|

|              |        |                           |
|--------------|--------|---------------------------|
| $r_{1 \min}$ | 0,6 mm | Minimum chamfer dimension |
|--------------|--------|---------------------------|

|       |      |                     |
|-------|------|---------------------|
| $B_1$ | 6 mm | Thickness of flange |
|-------|------|---------------------|

|       |        |                        |
|-------|--------|------------------------|
| $d_2$ | 4,5 mm | Fixing boring diameter |
|-------|--------|------------------------|

|   |       |                               |
|---|-------|-------------------------------|
| J | 32 mm | Pitch circle diameter (holes) |
|---|-------|-------------------------------|

|   |       |              |
|---|-------|--------------|
| A | 27 mm | Flange width |
|---|-------|--------------|

### Temperature range

|            |        |                            |
|------------|--------|----------------------------|
| $T_{\min}$ | -30 °C | Operating temperature min. |
|------------|--------|----------------------------|

|            |        |                            |
|------------|--------|----------------------------|
| $T_{\max}$ | 120 °C | Operating temperature max. |
|------------|--------|----------------------------|

### Additional information

|          |         |                         |
|----------|---------|-------------------------|
| $M_{RL}$ | 0,02 Nm | Bearing friction torque |
|----------|---------|-------------------------|

|          |                |                |
|----------|----------------|----------------|
| $c_{aL}$ | 200 N/ $\mu$ m | Rigidity axial |
|----------|----------------|----------------|

|          |           |                   |
|----------|-----------|-------------------|
| $c_{kL}$ | 8 Nm/mrad | Tilting stiffness |
|----------|-----------|-------------------|

|       |                                  |                        |
|-------|----------------------------------|------------------------|
| $M_m$ | 0,004 kg $\cdot$ cm <sup>2</sup> | Mass moment of inertia |
|-------|----------------------------------|------------------------|

|  |           |              |
|--|-----------|--------------|
|  | 2 $\mu$ m | Axial runout |
|--|-----------|--------------|

|  |      |   |
|--|------|---|
|  | ZM06 | Recommended INA precision locknut for radial locking (not included) |
|--|------|---|

|       |      |                       |
|-------|------|-----------------------|
| $M_A$ | 2 Nm | Tightening torque nut |
|-------|------|-----------------------|

|  |         |                     |
|--|---------|---------------------|
|  | 2.404 N | Locknut force axial |
|--|---------|---------------------|



### Characteristics

---



Radial load



Axial load in one direction



Axial load in two directions



Lifetime lubrication, freedom from maintenance



Grease Lubrication



Sealed on both sides