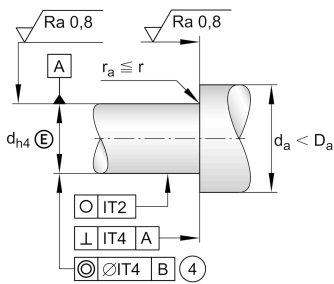
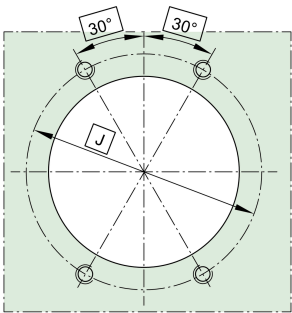
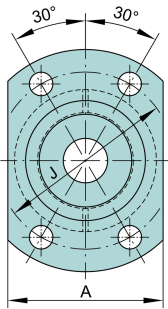


**ZKLFA1050-2Z**

Axial angular contact ball bearing

Angular contact ball bearing units
ZKLFA.-2Z, double direction, for screw
mounting, gap seals on both sides

Technical information

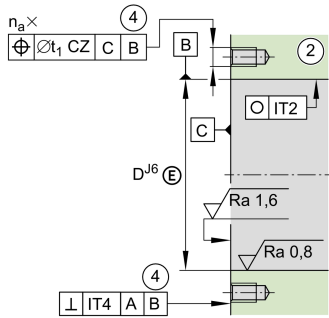
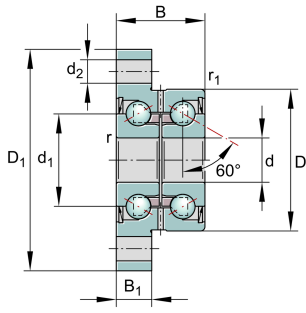


Your current product variant

| | | |
|---------|----|--------------------------------|
| Sealing | 2Z | Minimal gap seal on both sides |
|---------|----|--------------------------------|

Main Dimensions & Performance Data

| | | |
|--------------------------|--------------|---------------------------------------|
| d | 10 mm | Bore diameter |
| | 0 mm | Bore diameter upper tolerance |
| | -0,005 mm | Bore diameter lower tolerance |
| D | 32 mm | Outside diameter |
| | 0 mm | Outside diameter upper tolerance |
| | -0,01 mm | Outside diameter lower tolerance |
| B | 20 mm | Width |
| | 0 mm | Width upper tolerance |
| | -0,25 mm | Width lower tolerance |
| C _a | 13.400 N | Basic dynamic load rating, axial |
| C _{0a} | 18.800 N | Basic static load rating, axial |
| C _{ua} | 850 N | Fatigue load limit, axial |
| n _G Grease | 14.400 1/min | Limiting speed for grease lubrication |
| n _g | 8.600 1/min | Thermally permissible speed |
| ≈m | 0,122 kg | Weight |



Mounting dimensions

| | | |
|--------------|--------|------------------------------------|
| $d_{a \min}$ | 14 mm | Minimum diameter shaft shoulder |
| $d_{a \max}$ | 27 mm | Maximum diameter of shaft shoulder |
| t_1 | 0,1 mm | Position tolerance |
| | M5 | Screw size |

| | | |
|-------|---|------------------|
| n_a | 4 | Number of screws |
|-------|---|------------------|

Dimensions

| | | |
|-------|-------|-------------------------|
| d_1 | 21 mm | Rib diameter inner ring |
|-------|-------|-------------------------|

| | | |
|------------|--------|---------------------------|
| r_{\min} | 0,3 mm | Minimum chamfer dimension |
|------------|--------|---------------------------|

| | | |
|--------------|--------|---------------------------|
| $r_{1 \min}$ | 0,6 mm | Minimum chamfer dimension |
|--------------|--------|---------------------------|

| | | |
|-------|------|---------------------|
| B_1 | 8 mm | Thickness of flange |
|-------|------|---------------------|

| | | |
|-------|--------|------------------------|
| d_2 | 5,5 mm | Fixing boring diameter |
|-------|--------|------------------------|

| | | |
|---|-------|-------------------------------|
| J | 40 mm | Pitch circle diameter (holes) |
|---|-------|-------------------------------|

| | | |
|---|-------|--------------|
| A | 35 mm | Flange width |
|---|-------|--------------|

Temperature range

| | | |
|------------|--------|----------------------------|
| T_{\min} | -30 °C | Operating temperature min. |
|------------|--------|----------------------------|

| | | |
|------------|--------|----------------------------|
| T_{\max} | 120 °C | Operating temperature max. |
|------------|--------|----------------------------|

Additional information

| | | |
|----------|---------|-------------------------|
| M_{RL} | 0,06 Nm | Bearing friction torque |
|----------|---------|-------------------------|

| | | |
|----------|----------------|----------------|
| c_{aL} | 325 N/ μ m | Rigidity axial |
|----------|----------------|----------------|

| | | |
|----------|------------|-------------------|
| c_{kL} | 25 Nm/mrad | Tilting stiffness |
|----------|------------|-------------------|

| | | |
|-------|----------------------------------|------------------------|
| M_m | 0,029 kg \cdot cm ² | Mass moment of inertia |
|-------|----------------------------------|------------------------|

| | | |
|--|-----------|--------------|
| | 2 μ m | Axial runout |
|--|-----------|--------------|

| | | |
|--|------|---|
| | ZM10 | Recommended INA precision locknut for radial locking (not included) |
|--|------|---|

| | | |
|-------|------|-----------------------|
| M_A | 6 Nm | Tightening torque nut |
|-------|------|-----------------------|

| | | |
|--|---------|---------------------|
| | 4.891 N | Locknut force axial |
|--|---------|---------------------|



Characteristics



Radial load



Axial load in one direction



Axial load in two directions



Lifetime lubrication, freedom from maintenance



Grease Lubrication



Sealed on both sides