

**AXW10**

Axial needle roller bearing

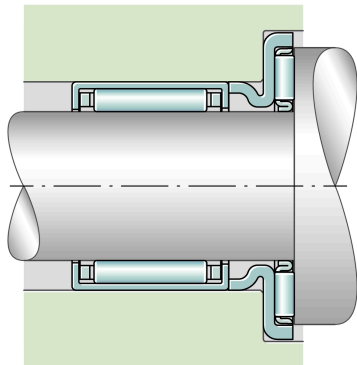
Axial needle roller bearings, single direction,
AXK with axial bearing washer

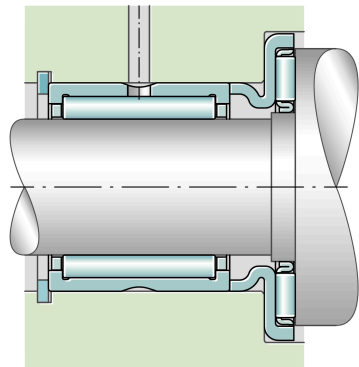
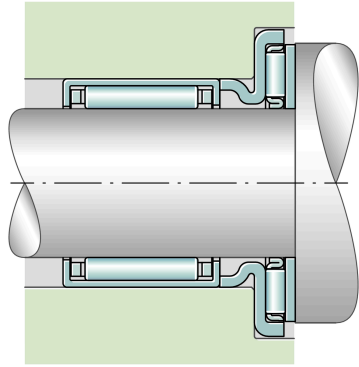
Technical information



Main Dimensions & Performance Data

D_{c1}	10 mm	Bore diameter cage
D	27 mm	Outside diameter bearing washer
B	3,2 mm	Height bearing
B_1	3 mm	Height centering collar
D_1	14 mm	Outside diameter centering collar
E_a	23 mm	Raceway dimension
E_b	12 mm	Raceway dimension
C	9.200 N	Basic dynamic load rating, axial
C_{0a}	25.500 N	Basic static load rating, axial
c_{ua}	2.550 N	Fatigue load limit, axial
n_G	16.900 1/min	Limiting speed
$n_{\vartheta r}$	9.300 1/min	Reference speed
$\approx m$	8,68 g	Weight










Additional information

AS1024	Axial bearing washer
HK1012	Drawn cup needle roller bearings
HK1015	Drawn cup needle roller bearings
HK1010	Drawn cup needle roller bearings for radial bearing arrangement
BK1010	Needle bush
BK1012	Needle bush
BK1015	Needle bush
NK7/10-TV	Needle roller bearings with out inner ring
NK7/12-TV	Needle roller bearings with out inner ring

Characteristics

-  Axial load in one direction
-  Grease Lubrication
-  Oil Lubrication
-  Not sealed
-  Small design envelope