

**AXW17**

Axial needle roller bearing

Axial needle roller bearings, single direction,
AXK with axial bearing washer

Technical information

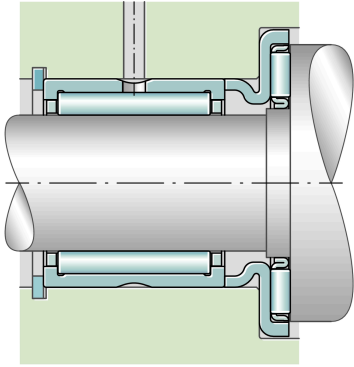


Main Dimensions & Performance Data

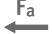




D_{c1}	17 mm	Bore diameter cage
D	33 mm	Outside diameter bearing washer
B	3,2 mm	Height bearing
B_1	3,5 mm	Height centering collar
D_1	23 mm	Outside diameter centering collar
E_a	29 mm	Raceway dimension
E_b	19 mm	Raceway dimension
C	12.000 N	Basic dynamic load rating, axial
C_{0a}	39.500 N	Basic static load rating, axial
c_{ua}	4.000 N	Fatigue load limit, axial
n_G	12.300 1/min	Limiting speed
n_{gr}	5.800 1/min	Reference speed
$\approx m$	11,54 g	Weight

Additional information

AS1730	Axial bearing washer
HK1712	Drawn cup needle roller bearings for radial bearing arrangement
NK15/16	Needle roller bearings with out inner ring
NK15/20	Needle roller bearings with out inner ring



Characteristics

-  Axial load in one direction
-  Grease Lubrication
-  Oil Lubrication
-  Not sealed
-  Small design envelope