**AXW20**

Axial needle roller bearing

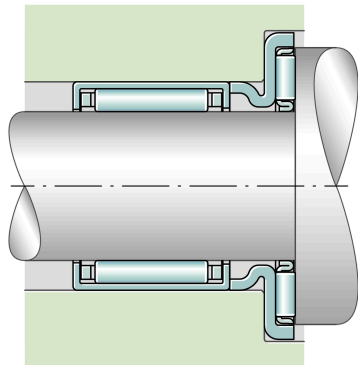
Axial needle roller bearings, single direction,
AXK with axial bearing washer

Technical information



Main Dimensions & Performance Data

D_{c1}	20 mm	Bore diameter cage
D	38 mm	Outside diameter bearing washer
B	3,2 mm	Height bearing
B_1	3,5 mm	Height centering collar
D_1	26 mm	Outside diameter centering collar
E_a	34 mm	Raceway dimension
E_b	22 mm	Raceway dimension
C	13.100 N	Basic dynamic load rating, axial
C_{0a}	46.500 N	Basic static load rating, axial
c_{ua}	4.800 N	Fatigue load limit, axial
n_G	10.500 1/min	Limiting speed
n_{gr}	5.300 1/min	Reference speed
$\approx m$	15,15 g	Weight

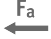








Additional information

AS2035	Axial bearing washer
HK2018-RS	Drawn cup needle roller bearings turned
HK2016	Drawn cup needle roller bearings
HK2020	Drawn cup needle roller bearings
HK2030-ZW	Drawn cup needle roller bearings
HK2012	Drawn cup needle roller bearings for radial bearing arrangement
BK2016	Needle bush
BK2020	Needle bush
NK18/16	Needle roller bearings with out inner ring
NK18/20	Needle roller bearings with out inner ring

Characteristics

-  Axial load in one direction
-  Grease Lubrication
-  Oil Lubrication
-  Not sealed
-  Small design envelope

