**AXW25**

Axial needle roller bearing

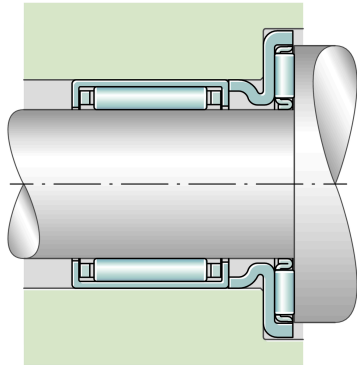
Axial needle roller bearings, single direction,
AXK with axial bearing washer

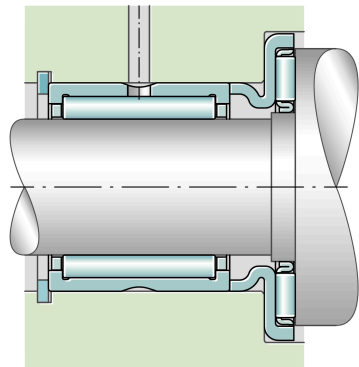
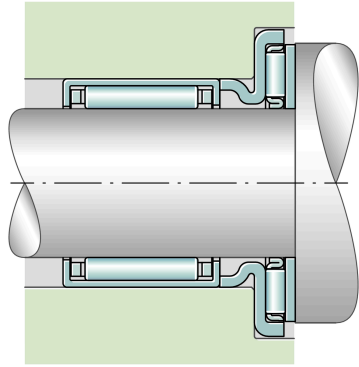
Technical information



Main Dimensions & Performance Data

D_{c1}	25 mm	Bore diameter cage
D	45 mm	Outside diameter bearing washer
B	3,2 mm	Height bearing
B_1	4 mm	Height centering collar
D_1	32 mm	Outside diameter centering collar
E_a	41 mm	Raceway dimension
E_b	29 mm	Raceway dimension
C	14.800 N	Basic dynamic load rating, axial
C_{0a}	58.000 N	Basic static load rating, axial
c_{ua}	6.000 N	Fatigue load limit, axial
n_G	8.600 1/min	Limiting speed
n_{gr}	4.550 1/min	Reference speed
$\approx m$	20,08 g	Weight

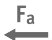








Additional information

AS2542	Axial bearing washer
HK2518-RS	Drawn cup needle roller bearings turned
HK2516	Drawn cup needle roller bearings
HK2520	Drawn cup needle roller bearings
HK2526	Drawn cup needle roller bearings
HK2538-ZW	Drawn cup needle roller bearings
HK2512	Drawn cup needle roller bearings for radial bearing arrangement
BK2520	Needle bush
BK2526	Needle bush
BK2538-ZW	Needle bush
NK120/16	Needle roller bearings with inner ring
NK120/20	Needle roller bearings with inner ring
NK24/16	Needle roller bearings with out inner ring
NK24/20	Needle roller bearings with out inner ring
NKS20	Needle roller bearings with out inner ring

Characteristics

-  Axial load in one direction
-  Grease Lubrication
-  Oil Lubrication
-  Not sealed
-  Small design envelope