

**AXW30**

Axial needle roller bearing

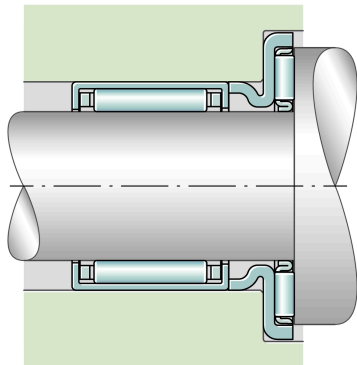
Axial needle roller bearings, single direction,
AXK with axial bearing washer

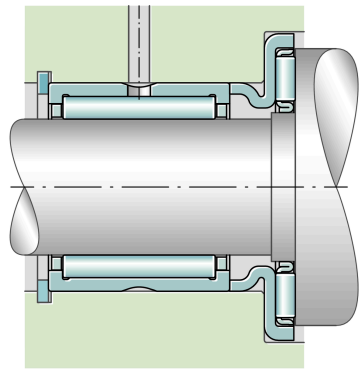
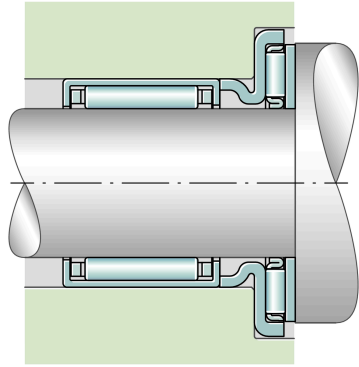
Technical information



Main Dimensions & Performance Data

D_{c1}	30 mm	Bore diameter cage
D	50 mm	Outside diameter bearing washer
B	3,2 mm	Height bearing
B_1	4 mm	Height centering collar
D_1	37 mm	Outside diameter centering collar
E_a	46 mm	Raceway dimension
E_b	34 mm	Raceway dimension
C	16.400 N	Basic dynamic load rating, axial
C_{0a}	70.000 N	Basic static load rating, axial
c_{ua}	7.200 N	Fatigue load limit, axial
n_G	7.500 1/min	Limiting speed
$n_{\vartheta r}$	3.800 1/min	Reference speed
$\approx m$	23,41 g	Weight





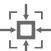




Additional information

AS3047	Axial bearing washer
HK3018-RS	Drawn cup needle roller bearings turned
HK3016	Drawn cup needle roller bearings
HK3020	Drawn cup needle roller bearings
HK3026	Drawn cup needle roller bearings
HK3038-ZW	Drawn cup needle roller bearings
HK3012	Drawn cup needle roller bearings for radial bearing arrangement
BK3012	Needle bush
BK3016	Needle bush
BK3020	Needle bush
BK3026	Needle bush
BK3038-ZW	Needle bush
NA4904	Needle roller bearings with inner ring
NA6904	Needle roller bearings with inner ring
NK28/20	Needle roller bearings with out inner ring
NK28/30	Needle roller bearings with out inner ring
NKS24	Needle roller bearings with out inner ring
RNA4904	Needle roller bearings with out inner ring
RNA6904	Needle roller bearings with out inner ring

Characteristics

-  Axial load in one direction
-  Grease Lubrication
-  Oil Lubrication
-  Not sealed
-  Small design envelope