



FAG

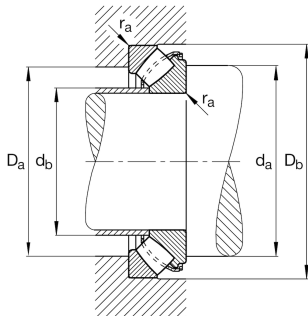
**29320-E1-XL-N1**

Axial spherical roller bearing

Axial spherical roller bearing 293..-E1-XL, no flanging ring

X-life

## Technical information



## Your current product variant

Heat treatment	Standard	Standard
Locating feature, housing washer	N1	Locating feature, housing washer
Cage	JP	Sheet metal cage
Handling thread holes	Without	
Constricted width and inclination variation	Standard	
Test certificate	Without	

## Main Dimensions &amp; Performance Data

d	100 mm	Bore diameter
D	170 mm	Outside diameter
T	42 mm	Height
C <sub>a</sub>	495.000 N	Basic dynamic load rating, axial
C <sub>0a</sub>	1.340.000 N	Basic static load rating, axial
C <sub>ua</sub>	194.000 N	Fatigue load limit, axial
n <sub>G</sub>	4.200 1/min	Limiting speed
n <sub>gr</sub>	1.960 1/min	Reference speed
≈m	3,416 kg	Weight



### Mounting dimensions

$d_{a \min}$	135 mm	Minimum diameter shaft shoulder
$D_{a \max}$	148 mm	Maximum diameter of housing shoulder
$D_{b \min}$	173 mm	Minimum bore diameter housing
$d_{b \max}$	107 mm	Maximum distance sleeve
$r_{a \max}$	1,5 mm	Maximum recess radius

### Dimensions

$D_1$	127,5 mm	Bore diameter housing washer
$d_1$	156 mm	Rip diameter shaft washer
$r_{\min}$	1,5 mm	Minimum chamfer dimension
$T_1$	20,5 mm	Height of the housing washer
$T_3$	26,2 mm	Height of the shaft washer
$T_5$	37,5 mm	Distance shaft washer - cage
$A$	58 mm	Distance of the center point

### Temperature range

$T_{\min}$	-30 °C	Operating temperature min.
$T_{\max}$	200 °C	Operating temperature max.

### Characteristics

	Radial load
	Axial load in one direction
	Grease Lubrication
	Oil Lubrication
	Not sealed
	Static angular error and misalignment
	Dynamic angular error and misalignment