

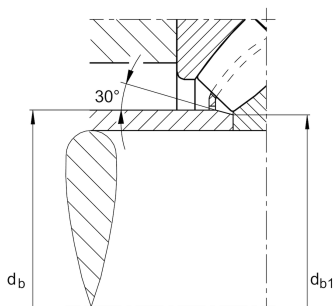
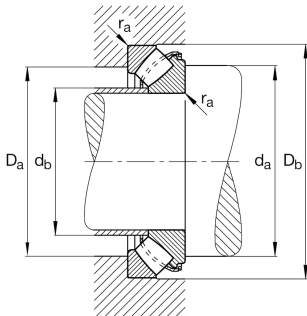
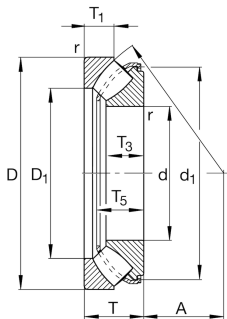
**FAG****29428-E1-XL**

Axial spherical roller bearing

Axial spherical roller bearing 294..-E1-XL, no flanging ring

X-life

Technical information



Your current product variant

Heat treatment	Standard	Standard
Locating feature, housing washer	Without	
Cage	JP	Sheet metal cage
Handling thread holes	Without	
Constricted width and inclination variation	Standard	
Test certificate	Without	

Main Dimensions & Performance Data

d	140 mm	Bore diameter
D	280 mm	Outside diameter
T	85 mm	Height
C _a	1.720.000 N	Basic dynamic load rating, axial
C _{0a}	4.500.000 N	Basic static load rating, axial
C _{ua}	495.000 N	Fatigue load limit, axial
n _G	2.460 1/min	Limiting speed
n _{gr}	1.290 1/min	Reference speed
≈m	21,6 kg	Weight



Mounting dimensions

$d_{a \min}$	205 mm	Minimum diameter shaft shoulder
$D_{a \max}$	237 mm	Maximum diameter of housing shoulder
$D_{b \min}$	285 mm	Minimum bore diameter housing
$d_{b \max}$	162 mm	Maximum distance sleeve
$d_{b1 \max}$	154 mm	Maximum chamfer diameter of distance sleeve
$r_{a \max}$	3 mm	Maximum recess radius
	30 °	Angle of chamfer of the distance sleeve

Dimensions

D_1	194,5 mm	Bore diameter housing washer
d_1	251,1 mm	Rip diameter shaft washer
r_{\min}	4 mm	Minimum chamfer dimension
T_1	41 mm	Height of the housing washer
T_3	54 mm	Height of the shaft washer
T_5	74,5 mm	Distance shaft washer - cage
A	86 mm	Distance of the center point

Temperature range

T_{\min}	-30 °C	Operating temperature min.
T_{\max}	200 °C	Operating temperature max.



Characteristics



Radial load



Axial load in one direction



Grease Lubrication



Oil Lubrication



Not sealed



Static angular error and misalignment



Dynamic angular error and misalignment