



FAG

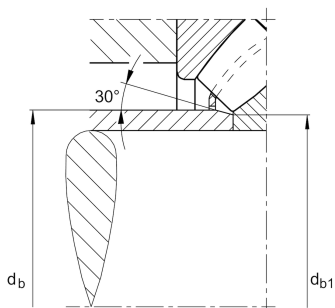
29468-E1-XL

Axial spherical roller bearing

Axial spherical roller bearing 294..-E1-XL, no flanging ring

X-life

Technical information



Your current product variant

| | | |
|---|----------|------------------|
| Heat treatment | Standard | Standard |
| Locating feature, housing washer | Without | |
| Cage | JP | Sheet metal cage |
| Handling thread holes | Without | |
| Constricted width and inclination variation | Standard | |
| Test certificate | Without | |

Main Dimensions & Performance Data

| | | |
|-----------------|--------------|----------------------------------|
| d | 340 mm | Bore diameter |
| D | 620 mm | Outside diameter |
| T | 170 mm | Height |
| C _a | 7.200.000 N | Basic dynamic load rating, axial |
| C _{0a} | 23.100.000 N | Basic static load rating, axial |
| C _{ua} | 2.090.000 N | Fatigue load limit, axial |
| n _G | 1.020 1/min | Limiting speed |
| n _{gr} | 475 1/min | Reference speed |
| ≈m | 205,52 kg | Weight |



Mounting dimensions

| | | |
|---------------|--------|---|
| $d_{a \min}$ | 480 mm | Minimum diameter shaft shoulder |
| $D_{a \max}$ | 541 mm | Maximum diameter of housing shoulder |
| $D_{b \min}$ | 630 mm | Minimum bore diameter housing |
| $d_{b \max}$ | 386 mm | Maximum distance sleeve |
| $d_{b1 \max}$ | 364 mm | Maximum chamfer diameter of distance sleeve |
| $r_{a \max}$ | 6 mm | Maximum recess radius |
| | 30 ° | Angle of chamfer of the distance sleeve |

Dimensions

| | | |
|------------|----------|------------------------------|
| D_1 | 445 mm | Bore diameter housing washer |
| d_1 | 564,9 mm | Rip diameter shaft washer |
| r_{\min} | 7,5 mm | Minimum chamfer dimension |
| T_1 | 84 mm | Height of the housing washer |
| T_3 | 112 mm | Height of the shaft washer |
| T_5 | 151,3 mm | Distance shaft washer - cage |
| A | 201 mm | Distance of the center point |

Temperature range

| | | |
|------------|--------|----------------------------|
| T_{\min} | -30 °C | Operating temperature min. |
| T_{\max} | 200 °C | Operating temperature max. |



Characteristics



Radial load



Axial load in one direction



Grease Lubrication



Oil Lubrication



Not sealed



Large bearing



Static angular error and misalignment



Dynamic angular error and misalignment