

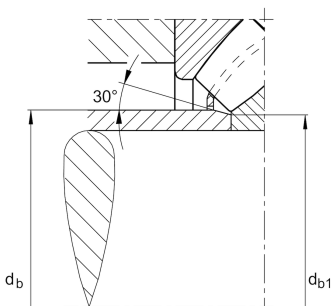
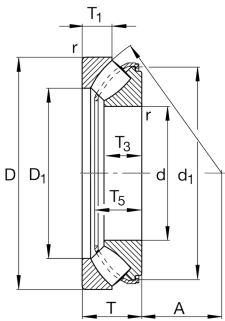
**FAG****29468-E1-XL-N1**

Axial spherical roller bearing

Axial spherical roller bearing 294..-E1-XL, no flanging ring

**X-life**

## Technical information



## Your current product variant

Heat treatment	Standard	Standard
Locating feature, housing washer	N1	Locating feature, housing washer
Cage	JP	Sheet metal cage
Handling thread holes	Without	
Constricted width and inclination variation	Standard	
Test certificate	Without	

## Main Dimensions &amp; Performance Data

d	340 mm	Bore diameter
D	620 mm	Outside diameter
T	170 mm	Height
C <sub>a</sub>	7.200.000 N	Basic dynamic load rating, axial
C <sub>0a</sub>	23.100.000 N	Basic static load rating, axial
C <sub>ua</sub>	2.090.000 N	Fatigue load limit, axial
n <sub>G</sub>	1.020 1/min	Limiting speed
n <sub>gr</sub>	475 1/min	Reference speed
≈m	205,52 kg	Weight



### Mounting dimensions

$d_{a \min}$	480 mm	Minimum diameter shaft shoulder
$D_{a \max}$	541 mm	Maximum diameter of housing shoulder
$D_{b \min}$	630 mm	Minimum bore diameter housing
$d_{b \max}$	386 mm	Maximum distance sleeve
$d_{b1 \max}$	364 mm	Maximum chamfer diameter of distance sleeve
$r_{a \max}$	6 mm	Maximum recess radius
	30 °	Angle of chamfer of the distance sleeve

### Dimensions

$D_1$	445 mm	Bore diameter housing washer
$d_1$	564,9 mm	Rip diameter shaft washer
$r_{\min}$	7,5 mm	Minimum chamfer dimension
$T_1$	84 mm	Height of the housing washer
$T_3$	112 mm	Height of the shaft washer
$T_5$	151,3 mm	Distance shaft washer - cage
A	201 mm	Distance of the center point

### Temperature range

$T_{\min}$	-30 °C	Operating temperature min.
$T_{\max}$	200 °C	Operating temperature max.



### Characteristics

---

-  Radial load
-  Axial load in one direction
-  Grease Lubrication
-  Oil Lubrication
-  Not sealed
-  Large bearing
-  Static angular error and misalignment
-  Dynamic angular error and misalignment