

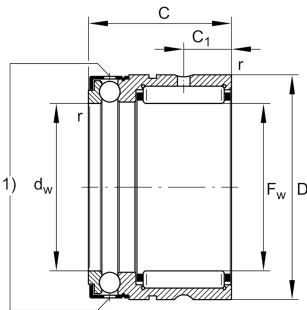
**NX7-TV-XL**

Needle roller/axial ball bearing

Needle roller/axial ball bearings NX, single direction axial component, for oil lubrication

X-life

Technical information



Your current product variant

Type of seal	Without	
Cage	TV	Plastic Cage made from PA66

Main Dimensions & Performance Data

F_w	7 mm	Bore diameter
D	14 mm	Outside diameter
C	18 mm	Height
C_r	3.250 N	Basic dynamic load rating, radial
C_{0r}	2.650 N	Basic static load rating, radial
C_a	3.150 N	Basic dynamic load rating, axial
C_{0a}	4.300 N	Basic static load rating, axial
C_{ur}	420 N	Fatigue load limit, radial
C_{ua}	195 N	Fatigue load limit, axial
n_G	15.000 1/min	Limiting speed
$\approx m$	0,012 kg	Weight



Mounting dimensions

d_a	9,6 mm	Mounting dimension shaft shoulder
$r_{a \max}$	0,3 mm	Maximum recess radius
D_1	16,5 mm	Connection diameter snap ring
C_2	10 mm	Connection width with snap ring

Dimensions

C_1	4,7 mm	Distance to lubrication hole
C_2	4,7 mm	Distance to lubrication hole
d_w	7 mm	Bore diameter of shaft washer
r_{\min}	0,3 mm	Minimum chamfer dimension

Temperature range


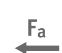


T_{\min}	-30 °C	Operating temperature min.
T_{\max}	120 °C	Operating temperature max.

Additional information

WR14, SW14

Snap ring

Characteristics

-  Radial load
-  Axial load in one direction
-  Grease Lubrication
-  Oil Lubrication
-  Not sealed