

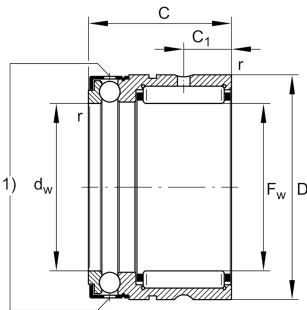
**NX25-XL**

Needle roller/axial ball bearing

Needle roller/axial ball bearings NX, single direction axial component, for oil lubrication

X-life

Technical information



Your current product variant

Sealing	Without
Cage	Standard

Main Dimensions & Performance Data

F_w	25 mm	Bore diameter
D	37 mm	Outside diameter
C	30 mm	Height
C_r	16.800 N	Basic dynamic load rating, radial
C_{0r}	22.400 N	Basic static load rating, radial
C_a	11.100 N	Basic dynamic load rating, axial
C_{0a}	24.300 N	Basic static load rating, axial
C_{ur}	4.200 N	Fatigue load limit, radial
C_{ua}	1.110 N	Fatigue load limit, axial
n_G	4.900 1/min	Limiting speed
$\approx m$	0,111 kg	Weight



Mounting dimensions

d_a	31,6 mm	Mounting dimension shaft shoulder
$r_{a \max}$	0,3 mm	Maximum recess radius
D_1	40,4 mm	Connection diameter snap ring
C_2	14,2 mm	Connection width with snap ring

Dimensions

C_1	8 mm	Distance to lubrication hole
C_2	8 mm	Distance to lubrication hole
d_w	25 mm	Bore diameter of shaft washer
r_{\min}	0,3 mm	Minimum chamfer dimension

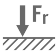




Temperature range

T_{\min}	-30 °C	Operating temperature min.
T_{\max}	120 °C	Operating temperature max.

Additional information

IR20X25X16-IS1-XL	Suitable inner rings IR
WR37, SW37	Snap ring

Characteristics

	Radial load
	Axial load in one direction
	Grease Lubrication
	Oil Lubrication
	Not sealed