

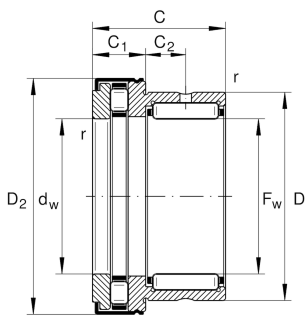
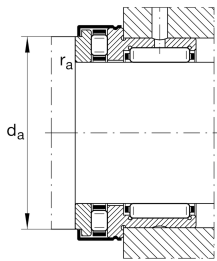
**NKXR30-Z-XL**

## Needle roller/axial cylindrical roller bearing

Needle roller/axial cylindrical roller bearings  
NKXR...-Z, axial component, single direction,  
to DIN 5429, with end cap, for grease  
lubrication

X-life

## Technical information



## Your current product variant

Sealing	Z	Bearing with end cap
Tolerance class	PN	Normal (PN)

## Main Dimensions &amp; Performance Data

$F_w$	30 mm	Bore diameter
$D$	42 mm	Outside diameter
$C$	30 mm	Height
$C_r$	25.500 N	Basic dynamic load rating, radial
$C_{0r}$	36.000 N	Basic static load rating, radial
$C_a$	35.500 N	Basic dynamic load rating, axial
$C_{0a}$	86.000 N	Basic static load rating, axial
$C_{ur}$	6.400 N	Fatigue load limit, radial
$C_{ua}$	8.200 N	Fatigue load limit, axial
$n_G$	7.500 1/min	Limiting speed
$n_{gr}$	2.900 1/min	Reference speed
$\approx m$	141,3 g	Weight

## Mounting dimensions

$d_a$	42,7 mm	Mounting dimension shaft shoulder
$r_{a \max}$	0,6 mm	Maximum recess radius



### Dimensions

D 2 max	48,2 mm	Maximum outside diameter flange
C 1	11 mm	Width of the axial bearing component
C 2	9,5 mm	Distance to lubrication hole
d <sub>w</sub>	30 mm	Bore diameter of shaft washer
r <sub>min</sub>	0,6 mm	Minimum chamfer dimension



### Temperature range

T <sub>min</sub>	-30 °C	Operating temperature min.
T <sub>max</sub>	120 °C	Operating temperature max.

### Additional information

IR25X30X20-XL	Suitable inner rings IR
---------------	-------------------------

### Characteristics

-  Radial load
-  Axial load in one direction
-  Grease Lubrication
-  Sealed on one side