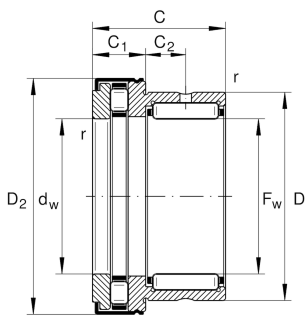
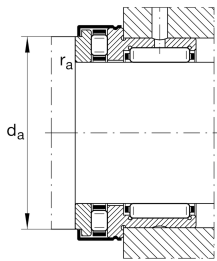
**NKXR50-Z-XL**

Needle roller/axial cylindrical roller bearing

Needle roller/axial cylindrical roller bearings
NKXR...-Z, axial component, single direction,
to DIN 5429, with end cap, for grease
lubrication

X-life

Technical information



Your current product variant

Sealing	Z	Bearing with end cap
Tolerance class	PN	Normal (DIN 620-2)

Main Dimensions & Performance Data

F_w	50 mm	Bore diameter
D	62 mm	Outside diameter
C	35 mm	Height
C_r	43.000 N	Basic dynamic load rating, radial
C_{0r}	74.000 N	Basic static load rating, radial
C_a	62.000 N	Basic dynamic load rating, axial
C_{0a}	177.000 N	Basic static load rating, axial
C_{ur}	12.900 N	Fatigue load limit, radial
C_{ua}	17.700 N	Fatigue load limit, axial
n_G	4.800 1/min	Limiting speed
$n_{\vartheta r}$	1.700 1/min	Reference speed
$\approx m$	285,96 g	Weight

Mounting dimensions

d_a	65,5 mm	Mounting dimension shaft shoulder
$r_{a \max}$	0,6 mm	Maximum recess radius



Dimensions

D 2 max	71,5 mm	Maximum outside diameter flange
C 1	14 mm	Width of the axial bearing component
C 2	10 mm	Distance to lubrication hole
d w	50 mm	Bore diameter of shaft washer
r min	0,6 mm	Minimum chamfer dimension


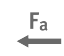


Temperature range

T min	-30 °C	Operating temperature min.
T max	120 °C	Operating temperature max.

Additional information

IR45X50X25-XL	Suitable inner rings IR
---------------	-------------------------

Characteristics

-  Radial load
-  Axial load in one direction
-  Grease Lubrication
-  Sealed on one side