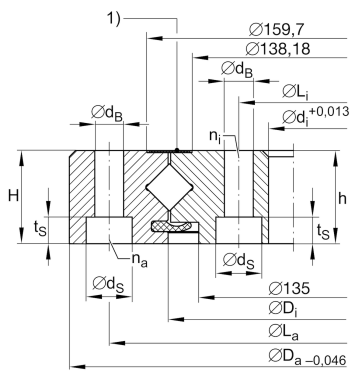


**XU080149** [↗](#)

Slewing ring, Crossed roller bearing, without gear teeth

Crossed roller bearings without gear teeth,
sealed on both sides

Technical information

**Main Dimensions & Performance Data**

d_i	101,6 mm	Bore Diameter
	0,013 mm	Bore diameter upper tolerance
	0 mm	Bore diameter lower tolerance
D_a	196,85 mm	Outside Diameter
	0 mm	Outside diameter upper tolerance
	-0,046 mm	Outside diameter lower tolerance
H	22,22 mm	Height
$\approx m$	3,28 kg	Weight



Dimensions

D_i	149,6 mm	Inner diameter outer ring
L_a	177,8 mm	Pitchcircle diameter fixing holes outer ring
n_a	16	Number of fixing holes in outer ring
h_i	22,22 mm	Height of inner ring
d_B	6,9 mm	Fixing bore
d_S	11 mm	Counterbore diameter of fixing holes
t_S	6,35 mm	Counterbore depth of fixing holes
L_i	115,8 mm	Pitchcircle diameter fixing holes inner ring
n_i	16	Number of fixing holes in inner ring
VSP_{min}	0,005 mm	Min. bearing preload
VSP_{max}	0,02 mm	Maximum bearing preload

Temperature range

T_{min}	-30 °C	Operating temperature min.
T_{max}	80 °C	Operating temperature max.

Calculation factors

C_a	55.000 N	Basic dynamic load rating, axial
C_r	39.000 N	Basic dynamic load rating, radial (for radial load only)
C_{0a}	77.000 N	Basic static load rating, axial
C_{0r}	37.500 N	Basic static load rating, radial (for radial load only)
$F_{R zu.}$	15.400 N	Max. radial load screws



Characteristics



Radial load



Axial load in one direction



Axial load in two directions



Moments about all axes



Grease Lubrication



Sealed on both sides