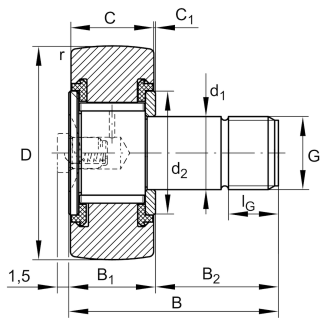
**KRV16-PP**

Stud type track roller

Stud type track rollers KRV...-PP-A, single row needle roller bearings with particularly thick-walled outer ring, full complement needle roller set and with a solid roller stud with fixing thread and a mounting aid, axial guidance of outer ring is provided by the plastic axial plain washers, contact flange and contact washer, three-stage sealing by plastic axial plain washer on both sides, without eccentric collar

Technical information



Your current product variant

| | | |
|---------------------|-----|---|
| Type of Seal | PP | Three-stage sealing by plastic axial plain washer on both sides |
| Outer ring profile | IOP | Optimized INA-profile |
| Grease nipples | 1x | Drive-fit lubrication nipple unmounted 1x |
| Relubrication | K | Via head |
| Assembling aid head | SL | Mounting slot |

Main Dimensions & Performance Data

| | | |
|-------------------|-------------|---------------------------------------|
| D | 16 mm | Outside diameter |
| d ₁ | 6 mm | Fit diameter of roller stud / stud |
| B | 28 mm | Width |
| C _{r w} | 4.850 N | Basic dynamic load rating, radial |
| C _{0r w} | 6.700 N | Basic static load rating, radial |
| C _{ur w} | 970 N | Fatigue load limit, radial |
| n _{D G} | 3.800 1/min | Speed on permanent grease lubrication |
| ≈m | 18 g | Weight |



Dimensions

| | | |
|------------------|---------|--|
| B ₁ | 12,2 mm | Width of thrust washer |
| B ₂ | 16 mm | Bolt/stud length effectively |
| C | 11 mm | Width, outer ring |
| C ₁ | 0,6 mm | Protrusion outer ring to thrust washer |
| r _{min} | 0,15 mm | Minimum chamfer dimension |
| d ₂ | 12,5 mm | Stop diameter of thrust washer |
| G | M6 | Thread |
| l _G | 8 mm | Thread length |

Additional information

| | | |
|----------------|--------|-------------------------------|
| | NIPA1 | Drive-fit lubrication nipple |
| | 1,5 mm | Protrusion lubrication nipple |
| M _A | 3 Nm | Tightening torque nut |

Characteristics



Radial load



Lifetime lubrication, freedom from maintenance



Grease Lubrication



Sealed on both sides