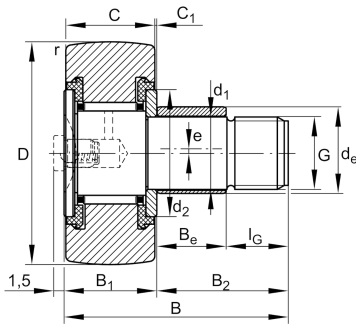


**KRE16** [↗](#)

Stud type track roller

Stud type track rollers KRE..., single row needle roller bearings with particularly thick-walled outer ring, needle roller and cage assembly and a solid roller stud with fixing thread and a mounting aid, axial guidance of outer ring is provided by the contact flange and contact washer, gap seals on both sides, with eccentric collar

Technical information



Your current product variant

Type of Seal	SPSP	Gap seal on both sides
Outer ring profile	R500	R500
Grease nipples	1x	Drive-fit lubrication nipple unmounted 1x
Assembling aid head	SL	Mounting slot

Main Dimensions & Performance Data

D	16 mm	Outside diameter
d ₁	6 mm	Fit diameter of roller stud / stud
B	28 mm	Width
C _{r w}	3.200 N	Basic dynamic load rating, radial
C _{0 r w}	3.450 N	Basic static load rating, radial
C _{ur w}	465 N	Fatigue load limit, radial
n _{D G}	14.000 1/min	Speed on permanent grease lubrication
≈m	20,208 g	Weight



Dimensions

B ₁	12,2 mm	Width of thrust washer
B ₂	16 mm	Bolt/stud length effectively
C	11 mm	Width, outer ring
C ₁	0,6 mm	Protrusion outer ring to thrust washer
r _{min}	0,15 mm	Minimum chamfer dimension
d ₂	12,5 mm	Stop diameter of thrust washer
G	M6	Thread
l _G	8 mm	Thread length
d _e	9 mm	Diameter of eccentric
B _e	7 mm	Width, eccentric
e	0,5 mm	Eccentricity

Additional information

	NIPA1	Drive-fit lubrication nipple
	1,5 mm	Protrusion lubrication nipple
M _A	3 Nm	Tightening torque nut