

**LASE25-XL-N**

## Plummer block housing unit

Plummer block housing units LASE, cast iron housing, radial insert ball bearing with eccentric locking collar, L seals

X-life

## Technical information



## Your current product variant

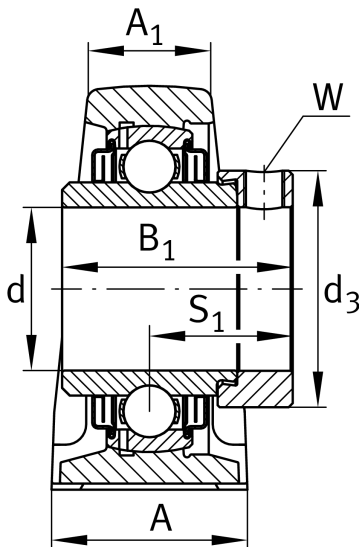
Material	GG	Grey cast iron
Groove	N	Cast iron housing with undercut slot for end caps

## Main Dimensions &amp; Performance Data

d	25 mm	Bore diameter
L	130 mm	Length total
H <sub>2</sub>	70 mm	Height
≈m	0,76 kg	Weight

## Mounting dimensions

J	102,5 mm	Distance fixing bore
N	11 mm	Width (slot)
N <sub>1</sub>	19 mm	Length (slot)





### Dimensions

H	36,5 mm	Distance shaft axis
A	36 mm	Width (base)
A <sub>1</sub>	21 mm	Width (head)
H <sub>1</sub>	14,5 mm	Height (base)
B <sub>1</sub>	44,5 mm	Locking collar total width
S <sub>1</sub>	27 mm	Distance of raceway to locking collar
Q	M6	Connection thread for lubrication

### Additional information

GEHASE05-GG-N-FA125.1	Housing
GE25-XL-KLL-B	Bearing designation
KASK05	Protecting cap

### Temperature range

T <sub>min</sub>	-40 °C	Operating temperature min.
T <sub>max</sub>	180 °C	Operating temperature max.