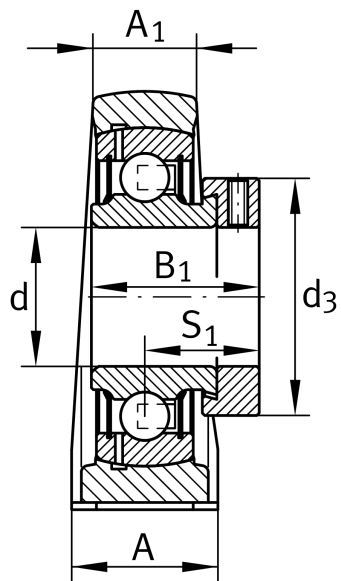
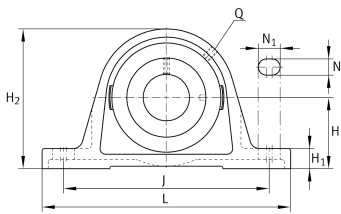
**PASE15-XL**

Plummer block housing unit

Plummer block housing units PASE, cast iron housing, radial insert ball bearing with eccentric locking collar, P seals

X-life

Technical information



Your current product variant

| | | |
|----------|----|----------------|
| Material | GG | Grey cast iron |
|----------|----|----------------|

Main Dimensions & Performance Data

| | | |
|----------------|---------|---------------|
| d | 15 mm | Bore diameter |
| L | 125 mm | Length total |
| H ₂ | 57 mm | Height |
| ≈m | 0,44 kg | Weight |

Mounting dimensions

| | | |
|----------------|-------|----------------------|
| J | 95 mm | Distance fixing bore |
| N | 11 mm | Width (slot) |
| N ₁ | 19 mm | Length (slot) |

Dimensions

| | | |
|----------------|---------|---------------------------------------|
| H | 30,2 mm | Distance shaft axis |
| A | 30 mm | Width (base) |
| A ₁ | 18 mm | Width (head) |
| H ₁ | 10 mm | Height (base) |
| B ₁ | 28,6 mm | Locking collar total width |
| S ₁ | 22,1 mm | Distance of raceway to locking collar |
| Q | M6 | Connection thread for lubrication |



Additional information

| | |
|-----------------|---------------------|
| ASE03 | Housing |
| GRAE15-XL-NPP-B | Bearing designation |

Temperature range

| | | |
|------------------|--------|----------------------------|
| T _{min} | -20 °C | Operating temperature min. |
| T _{max} | 120 °C | Operating temperature max. |