

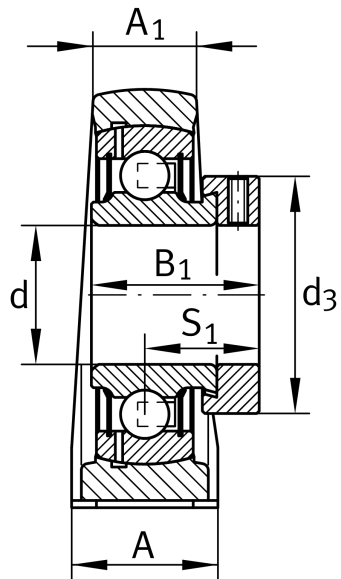
**PASE55-XL**

Plummer block housing unit

Plummer block housing units PASE, cast iron housing, radial insert ball bearing with eccentric locking collar, P seals

X-life

Technical information



Your current product variant

Material	GG	Grey cast iron
----------	----	----------------

Main Dimensions & Performance Data

d	55 mm	Bore diameter
L	222 mm	Length total
H ₂	124,5 mm	Height
≈m	3,2 kg	Weight

Mounting dimensions

J	176 mm	Distance fixing bore
N	18 mm	Width (slot)
N ₁	30 mm	Length (slot)

Dimensions

H	63,5 mm	Distance shaft axis
A	60 mm	Width (base)
A ₁	35 mm	Width (head)
H ₁	22,5 mm	Height (base)
B ₁	48,4 mm	Locking collar total width
S ₁	36,4 mm	Distance of raceway to locking collar
Q	M6	Connection thread for lubrication



Additional information

ASE11	Housing
GRAE55-XL-NPP-B	Bearing designation

Temperature range

T _{min}	-20 °C	Operating temperature min.
T _{max}	120 °C	Operating temperature max.