

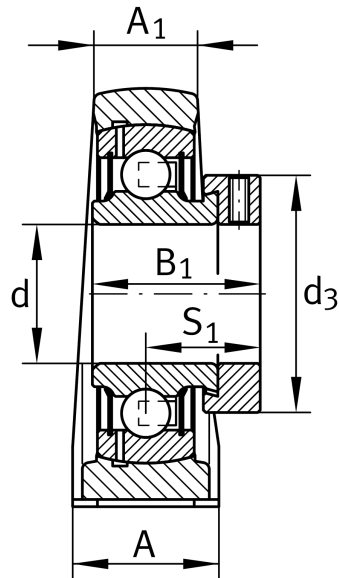
**PASE45-XL-FA125**

Plummer block housing unit

Plummer block housing units PASE...-FA125, cast iron housing, radial insert ball bearing with eccentric locking collar, P seals, with anti-corrosion protection

X-life

Technical information



Your current product variant

Material	GG	Grey cast iron
Manufacturing instruction	FA125	Unit with Corrotect coating, corrosion-resistant

Main Dimensions & Performance Data

d	45 mm	Bore diameter
L	192 mm	Length total
H ₂	107 mm	Height
≈m	2,12 kg	Weight

Mounting dimensions

J	149,65 mm	Distance fixing bore
N	14 mm	Width (slot)
N ₁	29 mm	Length (slot)



Dimensions

H	54 mm	Distance shaft axis
A	48 mm	Width (base)
A ₁	32 mm	Width (head)
H ₁	21,5 mm	Height (base)
B ₁	43,8 mm	Locking collar total width
S ₁	32,8 mm	Distance of raceway to locking collar
Q	M6	Connection thread for lubrication

Additional information

ASE09	Housing
GRAE45-XL-NPP-B-FA125	Bearing designation

Temperature range

T _{min}	-20 °C	Operating temperature min.
T _{max}	120 °C	Operating temperature max.