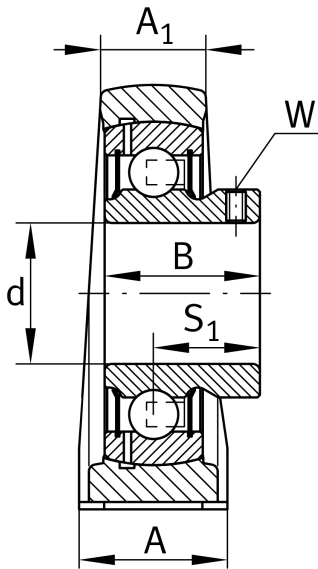
**PASEY20-XL-N**

Plummer block housing unit

Plummer block housing units PASEY, cast iron housing, radial insert ball bearing with grub screws in inner ring, P seals

X-life

Technical information



Your current product variant

Material	GG	Grey cast iron
Groove	N	Cast iron housing with undercut slot for end caps

Main Dimensions & Performance Data

d	20 mm	Bore diameter
L	130 mm	Length total
H ₂	64 mm	Height
≈m	0,56 kg	Weight

Mounting dimensions

J	97,5 mm	Distance fixing bore
N	11 mm	Width (slot)
N ₁	19 mm	Length (slot)



Dimensions

H	33,3 mm	Distance shaft axis
A	32 mm	Width (base)
A ₁	19 mm	Width (head)
H ₁	14,5 mm	Height (base)
B	25 mm	Width
S ₁	18 mm	Distance of raceway to locking collar
Q	M6	Connection thread for lubrication

Additional information

ASE04	Housing
GAY20-XL-NPP-B	Bearing designation
KASK04	Protecting cap

Temperature range

T _{min}	-20 °C	Operating temperature min.
T _{max}	120 °C	Operating temperature max.