

**RASE55-XL**

Plummer block housing unit

Plummer block housing units RASE, cast iron housing, radial insert ball bearing with eccentric locking collar, R seals

X-life

Technical information



Your current product variant

Material	GG	Grey cast iron
----------	----	----------------

Main Dimensions & Performance Data

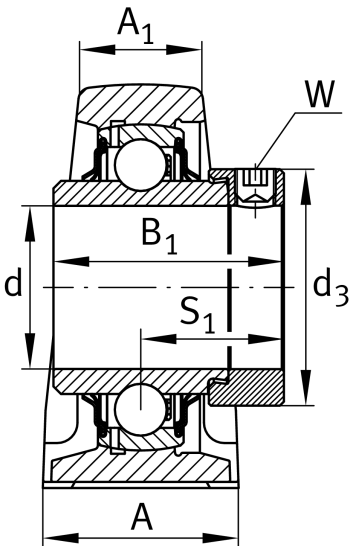
d	55 mm	Bore diameter
L	222 mm	Length total
H ₂	124,5 mm	Height
≈m	3,5 kg	Weight

Mounting dimensions

J	176 mm	Distance fixing bore
N	18 mm	Width (slot)
N ₁	30 mm	Length (slot)

Dimensions

H	63,5 mm	Distance shaft axis
A	60 mm	Width (base)
A ₁	35 mm	Width (head)
H ₁	22,5 mm	Height (base)
B ₁	71,4 mm	Locking collar total width
S ₁	43,6 mm	Distance of raceway to locking collar
Q	M6	Connection thread for lubrication





Additional information

ASE11	Housing
GE55-XL-KRR-B	Bearing designation

Temperature range

T _{min}	-20 °C	Operating temperature min.
T _{max}	120 °C	Operating temperature max.