

**RASE25-XL-FA164** [↗](#)

Plummer block housing unit

Plummer block housing unit RASE..-XL-FA164, RIBB cast iron ASE SAO AK

X-life

Technical information



Your current product variant

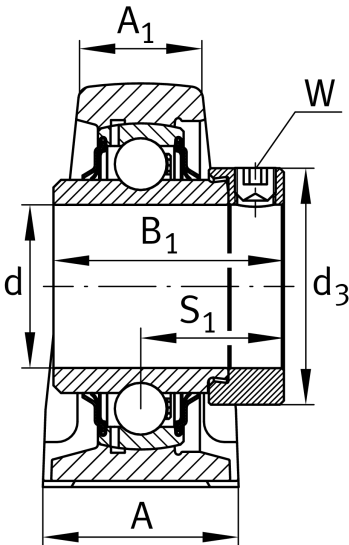
Material	GG	Grey cast iron
Manufacturing instruction	FA164	High temperature design up to +250°C

Main Dimensions & Performance Data

d	25 mm	Bore diameter
L	130 mm	Length total
H ₂	70 mm	Height
≈m	0,75 kg	Weight

Mounting dimensions

J	102,5 mm	Distance fixing bore
N	11 mm	Width (slot)
N ₁	19 mm	Length (slot)





Dimensions

H	36,5 mm	Distance shaft axis
A	36 mm	Width (base)
A ₁	21 mm	Width (head)
H ₁	14,5 mm	Height (base)
B ₁	44,5 mm	Locking collar total width
S ₁	27 mm	Distance of raceway to locking collar
Q	M6	Connection thread for lubrication

Additional information

ASE05	Housing
GE25-XL-KRR-B-FA164	Bearing designation
KASK05-J	Protecting cap

Temperature range

T _{min}	150 °C	Operating temperature min.
T _{max}	250 °C	Operating temperature max.