

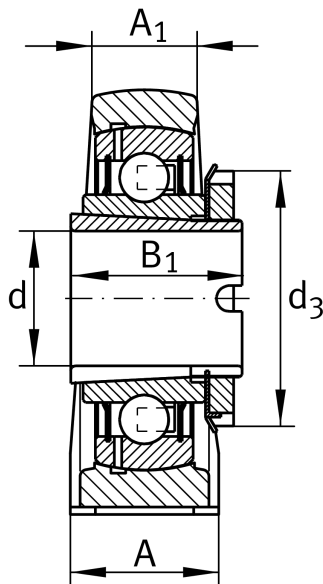
IMAGE
COMING SOON**RASEA25-XL-N**

Plummer block housing unit

Plummer block housing units RASEA, cast iron housing, radial insert ball bearing with adapter sleeve, R seals

X-life

Technical information



Your current product variant

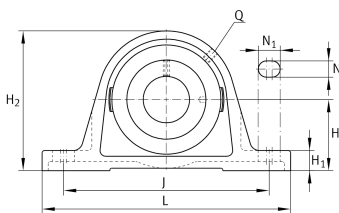
Material	GG	Grey cast iron
Groove	N	Cast iron housing with undercut slot for end caps

Main Dimensions & Performance Data

d	25 mm	Bore diameter
L	130 mm	Length total
H ₂	70 mm	Height
≈m	0,67 kg	Weight

Mounting dimensions

J	102,5 mm	Distance fixing bore
N	11 mm	Width (slot)
N ₁	19 mm	Length (slot)





Dimensions

H	36,5 mm	Distance shaft axis
A	36 mm	Width (base)
A ₁	21 mm	Width (head)
H ₁	14,5 mm	Height (base)
B ₁	28 mm	Locking collar total width
S ₁	20,5 mm	Distance of raceway to locking collar
Q	M6	Connection thread for lubrication

Additional information

ASE05	Housing
GSH25-XL-2RSR-B	Bearing designation
KASK05	Protecting cap

Temperature range

T _{min}	-20 °C	Operating temperature min.
T _{max}	120 °C	Operating temperature max.