

**RSAO40-XL**

## Plummer block housing unit

Plummer block housing units RSAO, cast iron housing, radial insert ball bearing with eccentric locking collar, R seals

X-life

## Technical information



## Your current product variant

Material	GG	Grey cast iron
----------	----	----------------

## Main Dimensions &amp; Performance Data

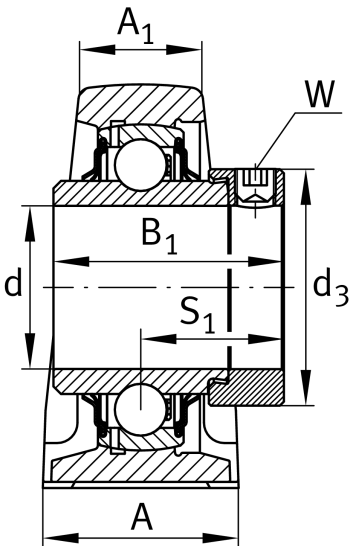
d	40 mm	Bore diameter
L	220 mm	Length total
H <sub>2</sub>	116 mm	Height
≈m	3,1 kg	Weight

## Mounting dimensions

J	170 mm	Distance fixing bore
N	17,5 mm	Width (slot)
N <sub>1</sub>	27,5 mm	Length (slot)

## Dimensions

H	60 mm	Distance shaft axis
A	60 mm	Width (base)
A <sub>1</sub>	31 mm	Width (head)
H <sub>1</sub>	22 mm	Height (base)
B <sub>1</sub>	54,6 mm	Locking collar total width
S <sub>1</sub>	36,6 mm	Distance of raceway to locking collar
Q	M6	Connection thread for lubrication





### Additional information

GEHSAO08-GG	Housing
GNE40-XL-KRR-B	Bearing designation

### Temperature range

T <sub>min</sub>	-20 °C	Operating temperature min.
T <sub>max</sub>	120 °C	Operating temperature max.