

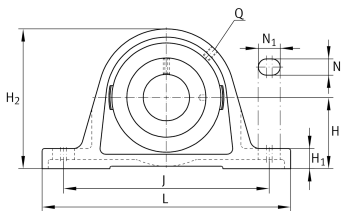
**RSAO50-XL**

## Plummer block housing unit

Plummer block housing units RSAO, cast iron housing, radial insert ball bearing with eccentric locking collar, R seals

X-life

## Technical information



## Your current product variant

Material	GG	Grey cast iron
----------	----	----------------

## Main Dimensions &amp; Performance Data

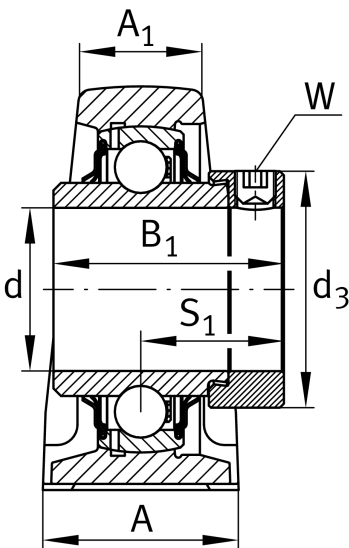
d	50 mm	Bore diameter
L	275 mm	Length total
H <sub>2</sub>	143 mm	Height
≈m	5,97 kg	Weight

## Mounting dimensions

J	212 mm	Distance fixing bore
N	20 mm	Width (slot)
N <sub>1</sub>	35 mm	Length (slot)

## Dimensions

H	75 mm	Distance shaft axis
A	75 mm	Width (base)
A <sub>1</sub>	39 mm	Width (head)
H <sub>1</sub>	27 mm	Height (base)
B <sub>1</sub>	66,75 mm	Locking collar total width
S <sub>1</sub>	42,15 mm	Distance of raceway to locking collar
Q	M6	Connection thread for lubrication





### Additional information

SAO10	Housing
GNE50-XL-KRR-B	Bearing designation

### Temperature range

T <sub>min</sub>	-20 °C	Operating temperature min.
T <sub>max</sub>	120 °C	Operating temperature max.