

**RSAO70-XL**

## Plummer block housing unit

Plummer block housing units RSAO, cast iron housing, radial insert ball bearing with eccentric locking collar, R seals

X-life

## Technical information



## Your current product variant

Material	GG	Grey cast iron
----------	----	----------------

## Main Dimensions &amp; Performance Data

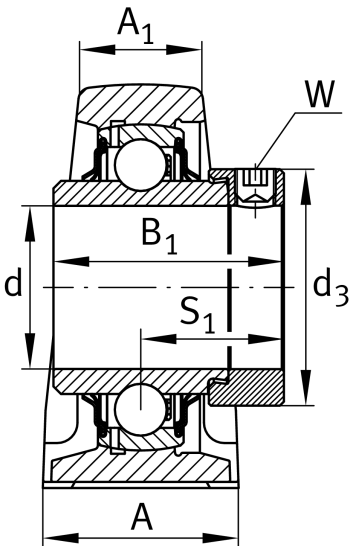
d	70 mm	Bore diameter
L	360 mm	Length total
H <sub>2</sub>	187 mm	Height
≈m	11,94 kg	Weight

## Mounting dimensions

J	282 mm	Distance fixing bore
N	27 mm	Width (slot)
N <sub>1</sub>	42 mm	Length (slot)

## Dimensions

H	95 mm	Distance shaft axis
A	90 mm	Width (base)
A <sub>1</sub>	54 mm	Width (head)
H <sub>1</sub>	35 mm	Height (base)
B <sub>1</sub>	75,5 mm	Locking collar total width
S <sub>1</sub>	49,5 mm	Distance of raceway to locking collar
Q	M6	Connection thread for lubrication





### Additional information

SAO14	Housing
GENE70-XL-KRR-B	Bearing designation

### Temperature range

T <sub>min</sub>	-20 °C	Operating temperature min.
T <sub>max</sub>	120 °C	Operating temperature max.