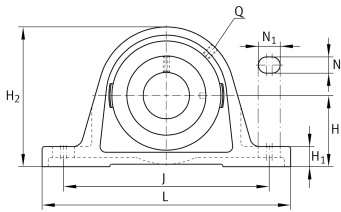
**RSAO80-XL**

Plummer block housing unit

Plummer block housing units RSAO, cast iron housing, radial insert ball bearing with eccentric locking collar, R seals

X-life

Technical information



Your current product variant

Material	GG	Grey cast iron
----------	----	----------------

Main Dimensions & Performance Data

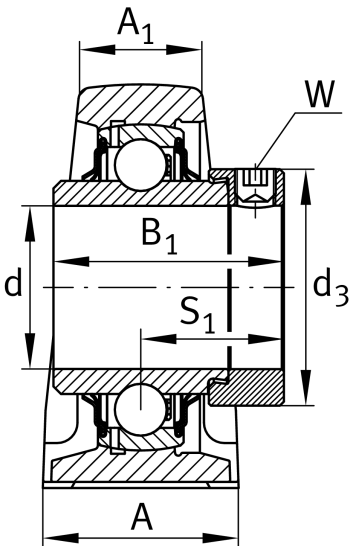
d	80 mm	Bore diameter
L	390 mm	Length total
H ₂	226 mm	Height
≈m	21,22 kg	Weight

Mounting dimensions

J	315 mm	Distance fixing bore
N	25,5 mm	Width (slot)
N ₁	44,5 mm	Length (slot)

Dimensions

H	116 mm	Distance shaft axis
A	110 mm	Width (base)
A ₁	76 mm	Width (head)
H ₁	50 mm	Height (base)
B ₁	93,6 mm	Locking collar total width
S ₁	59,6 mm	Distance of raceway to locking collar
Q	M6	Connection thread for lubrication





Additional information

SAO16	Housing
GNE80-XL-KRR-B	Bearing designation

Temperature range

T _{min}	-20 °C	Operating temperature min.
T _{max}	120 °C	Operating temperature max.