

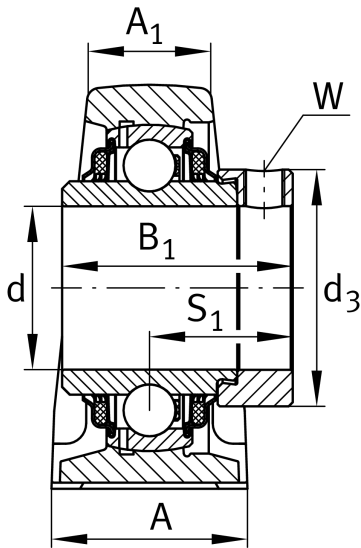
**TASE55-XL**

## Plummer block housing unit

Plummer block housing units TASE, cast iron housing, radial insert ball bearing with eccentric locking collar, T seals

X-life

## Technical information



## Your current product variant

Material	GG	Grey cast iron
----------	----	----------------

## Main Dimensions &amp; Performance Data

d	55 mm	Bore diameter
L	222 mm	Length total
H <sub>2</sub>	124,5 mm	Height
≈m	3,51 kg	Weight

## Mounting dimensions

J	176 mm	Distance fixing bore
N	18 mm	Width (slot)
N <sub>1</sub>	30 mm	Length (slot)

## Dimensions

H	63,5 mm	Distance shaft axis
A	60 mm	Width (base)
A <sub>1</sub>	35 mm	Width (head)
H <sub>1</sub>	22,5 mm	Height (base)
B <sub>1</sub>	71,4 mm	Locking collar total width
S <sub>1</sub>	43,6 mm	Distance of raceway to locking collar
Q	M6	Connection thread for lubrication



### Additional information

ASE11	Housing
GE55-XL-KTT-B	Bearing designation

### Temperature range

T <sub>min</sub>	-20 °C	Operating temperature min.
T <sub>max</sub>	120 °C	Operating temperature max.