

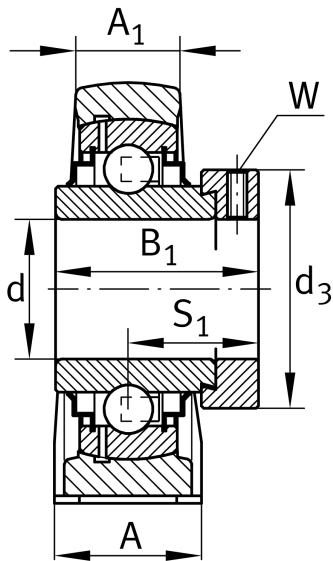
**RSHE55-XL**

Plummer block housing unit

Plummer block housing units RSHE, cast iron housing, radial insert ball bearing with eccentric locking collar, R seals

X-life

Technical information



Your current product variant

Material	GG	Grey cast iron
----------	----	----------------

Main Dimensions & Performance Data

d	55 mm	Bore diameter
L	150 mm	Length total
H ₂	125 mm	Height
≈m	3,79 kg	Weight

Mounting dimensions

J	118 mm	Distance fixing bore
K	M16	Thread fixing bore

Dimensions

H	64 mm	Distance shaft axis
A	60 mm	Width (base)
A ₁	35 mm	Width (head)
Q	M6	Connection thread for lubrication

Additional information

SHE11	Housing
GE55-XL-KRR-B	Bearing designation



View product details on medias

02.06.2026, 07:59:33 UTC

SCHAEFFLER

Temperature range

T _{min}	-20 °C	Operating temperature min.
------------------	--------	----------------------------

T _{max}	120 °C	Operating temperature max.
------------------	--------	----------------------------