

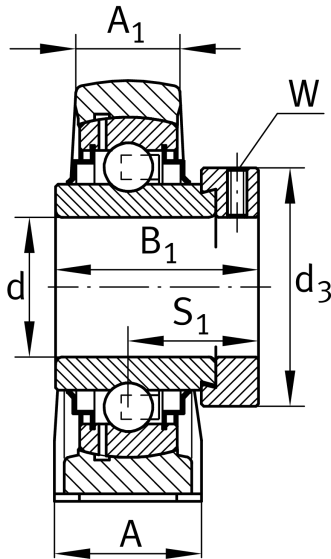
**RSHE20-XL-N**

## Plummer block housing unit

Plummer block housing units RSHE, cast iron housing, radial insert ball bearing with eccentric locking collar, R seals

X-life

## Technical information



## Your current product variant

Groove	N	Cast iron housing with undercut slot for end caps
Material	GG	Grey cast iron

## Main Dimensions &amp; Performance Data

d	20 mm	Bore diameter
L	65 mm	Length total
H <sub>2</sub>	64 mm	Height
≈m	0,49 kg	Weight

## Mounting dimensions

J	50,8 mm	Distance fixing bore
K	M8	Thread fixing bore

## Dimensions

H	33,3 mm	Distance shaft axis
A	32 mm	Width (base)
A <sub>1</sub>	19 mm	Width (head)
Q	M6	Connection thread for lubrication
S <sub>1</sub>	26,6 mm	Distance of raceway to locking collar



### Additional information

SHE04	Housing
GE20-XL-KRR-B	Bearing designation
KASK04	Protecting cap

### Temperature range

T <sub>min</sub>	-20 °C	Operating temperature min.
T <sub>max</sub>	120 °C	Operating temperature max.