

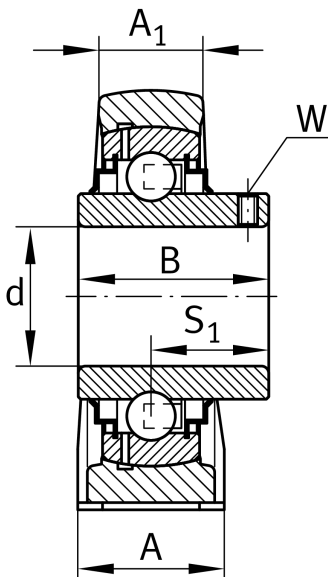
**RSHEY15-XL**

Plummer block housing unit

Plummer block housing units RSHEY, cast iron housing, radial insert ball bearing with grub screws in inner ring, R seals

X-life

Technical information



Your current product variant

| | | |
|----------|----|----------------|
| Material | GG | Grey cast iron |
|----------|----|----------------|

Main Dimensions & Performance Data

| | | |
|----------------|---------|---------------|
| d | 15 mm | Bore diameter |
| L | 63 mm | Length total |
| H ₂ | 57 mm | Height |
| ≈m | 0,37 kg | Weight |

Mounting dimensions

| | | |
|---|-------|----------------------|
| J | 47 mm | Distance fixing bore |
| K | M8 | Thread fixing bore |

Dimensions

| | | |
|----------------|---------|---------------------------------------|
| H | 30,2 mm | Distance shaft axis |
| A | 30 mm | Width (base) |
| A ₁ | 18 mm | Width (head) |
| Q | M6 | Connection thread for lubrication |
| B | 27,4 mm | Width of inner ring |
| S ₁ | 15,9 mm | Distance of raceway to locking collar |



Additional information

| | |
|----------------|---------------------|
| SHE03 | Housing |
| GYE15-XL-KRR-B | Bearing designation |

Temperature range

| | | |
|------------------|--------|----------------------------|
| T _{min} | -20 °C | Operating temperature min. |
| T _{max} | 120 °C | Operating temperature max. |