

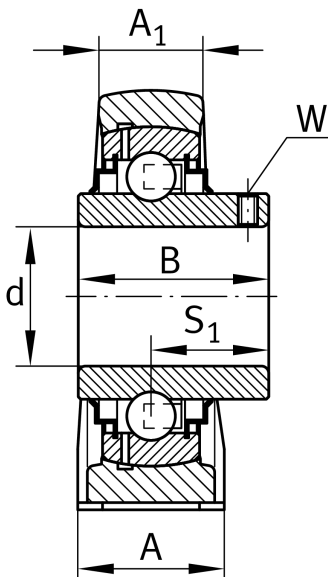
**RSHEY55-XL**

## Plummer block housing unit

Plummer block housing units RSHEY, cast iron housing, radial insert ball bearing with grub screws in inner ring, R seals

X-life

## Technical information



## Your current product variant

Material	GG	Grey cast iron
----------	----	----------------

## Main Dimensions &amp; Performance Data

d	55 mm	Bore diameter
L	150 mm	Length total
H <sub>2</sub>	125 mm	Height
≈m	3,5 kg	Weight

## Mounting dimensions

J	118 mm	Distance fixing bore
K	M16	Thread fixing bore

## Dimensions

H	64 mm	Distance shaft axis
A	60 mm	Width (base)
A <sub>1</sub>	35 mm	Width (head)
Q	M6	Connection thread for lubrication
B	55,6 mm	Width of inner ring
S <sub>1</sub>	33,4 mm	Distance of raceway to locking collar



### Additional information

SHE11	Housing
GYE55-XL-KRR-B	Bearing designation

### Temperature range

T <sub>min</sub>	-20 °C	Operating temperature min.
T <sub>max</sub>	120 °C	Operating temperature max.