

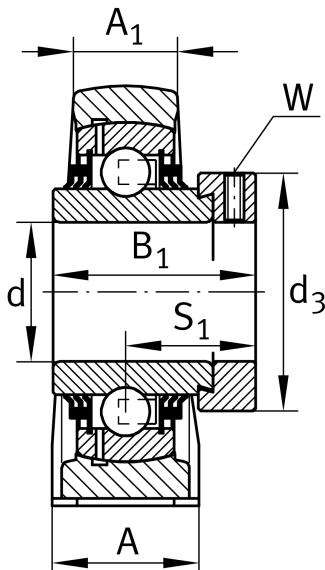
**TSHE25-XL-N**

## Plummer block housing unit

Plummer block housing units TSHE, cast iron housing, radial insert ball bearing with eccentric locking collar, T seals

X-life

## Technical information



## Your current product variant

Groove	N	Cast iron housing with undercut slot for end caps
Material	GG	Grey cast iron

## Main Dimensions &amp; Performance Data

d	25 mm	Bore diameter
L	70 mm	Length total
H <sub>2</sub>	70 mm	Height
≈m	0,6 kg	Weight

## Mounting dimensions

J	50,8 mm	Distance fixing bore
K	M10	Thread fixing bore

## Dimensions

H	36,5 mm	Distance shaft axis
A	36 mm	Width (base)
A <sub>1</sub>	21 mm	Width (head)
Q	M6	Connection thread for lubrication
S <sub>1</sub>	27 mm	Distance of raceway to locking collar



### Additional information

SHE05	Housing
GE25-XL-KTT-B	Bearing designation
KASK05	Protecting cap

### Temperature range

T <sub>min</sub>	-20 °C	Operating temperature min.
T <sub>max</sub>	120 °C	Operating temperature max.