

**PB20-XL**

Plummer block housing unit

Plummer block housing units PB, sheet steel housing, radial insert ball bearing with eccentric locking collar, P seals

X-life

Technical information

Your current product variant

Material	Steel sheet
----------	-------------

Main Dimensions & Performance Data

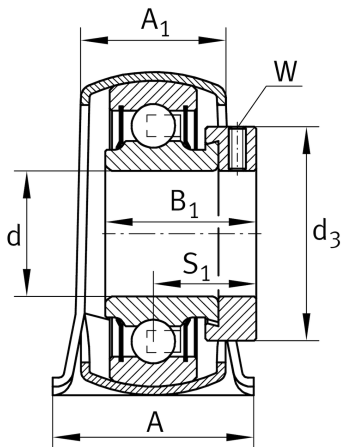
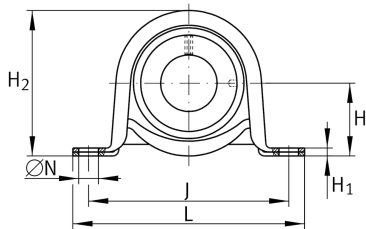
d	20 mm	Bore diameter
L	98,4 mm	Length total
H ₂	50,1 mm	Height
C _{0rG}	1.600 N	Load carrying capacity (housing)
C _r	13.600 N	Basic dynamic load rating, radial
C _{0r}	6.600 N	Basic static load rating, radial
≈m	0,26 kg	Weight

Mounting dimensions

J	76 mm	Distance fixing bore
N	9,5 mm	Fixing bore

Dimensions

H	25,4 mm	Distance shaft axis
A	31,8 mm	Width (base)
A ₁	22,3 mm	Width (head)
H ₁	3,3 mm	Height (base)





Additional information

f_0	13,1	Calculation factor
	GEH47-BT	Housing
	RAE20-XL-NPP-B	Bearing designation

Temperature range

T_{min}	-20 °C	Operating temperature min.
T_{max}	120 °C	Operating temperature max.