

**PB30-XL**

Plummer block housing unit

Plummer block housing units PB, sheet steel housing, radial insert ball bearing with eccentric locking collar, P seals

X-life

Technical information

Your current product variant

Material	Steel sheet
----------	-------------

Main Dimensions & Performance Data

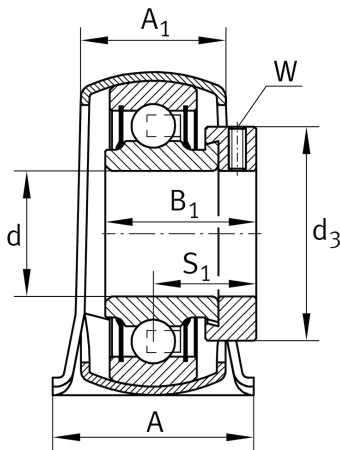
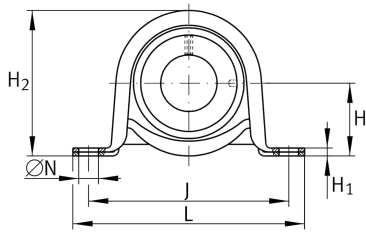
d	30 mm	Bore diameter
L	117,5 mm	Length total
H ₂	66,1 mm	Height
C _{0rG}	2.700 N	Load carrying capacity (housing)
C _r	19.500 N	Basic dynamic load rating, radial
C _{0r}	11.300 N	Basic static load rating, radial
≈m	0,44 kg	Weight

Mounting dimensions

J	95 mm	Distance fixing bore
N	11,5 mm	Fixing bore

Dimensions

H	33,3 mm	Distance shaft axis
A	38 mm	Width (base)
A ₁	26,5 mm	Width (head)
H ₁	4 mm	Height (base)





Additional information

f_0	13,8	Calculation factor
	GEH62-BT	Housing
	RAE30-XL-NPP-B	Bearing designation

Temperature range

T_{min}	-20 °C	Operating temperature min.
T_{max}	120 °C	Operating temperature max.