

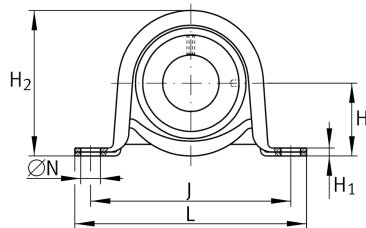
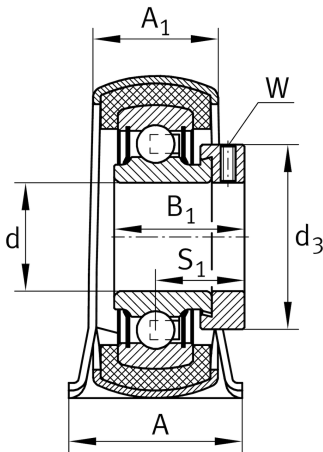
**RPB12-XL**

## Plummer block housing unit

Plummer block housing units RPB, sheet steel housing, radial insert ball bearing with eccentric locking collar and rubber interliner, P seals

X-life

## Technical information



## Your current product variant

Material	Steel sheet
----------	-------------

## Main Dimensions &amp; Performance Data

d	12 mm	Bore diameter
L	98,7 mm	Length total
H <sub>2</sub>	50,1 mm	Height
C <sub>0r G</sub>	900 N	Load carrying capacity (housing)
C <sub>r</sub>	9.800 N	Basic dynamic load rating, radial
C <sub>0r</sub>	4.750 N	Basic static load rating, radial
≈m	0,23 kg	Weight

## Mounting dimensions

J	76 mm	Distance fixing bore
N	9,5 mm	Fixing bore

## Dimensions

H	25,4 mm	Distance shaft axis
A	31,8 mm	Width (base)
A <sub>1</sub>	22,3 mm	Width (head)
H <sub>1</sub>	3,3 mm	Height (base)



### Additional information

$f_0$	13	Calculation factor
	GEH47-BT	Housing
	GRG.RABR40/47	Rubber interliner designation
	RAE12-XL-NPP-B	Bearing designation

### Temperature range

$T_{min}$	-20 °C	Operating temperature min.
$T_{max}$	120 °C	Operating temperature max.