

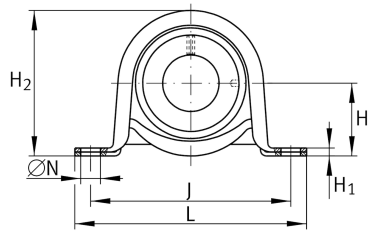
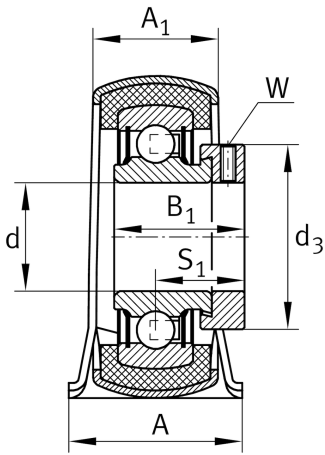
**RPB20-XL**

Plummer block housing unit

Plummer block housing units RPB, sheet steel housing, radial insert ball bearing with eccentric locking collar and rubber interliner, P seals

X-life

Technical information



Your current product variant

Material	Steel sheet
----------	-------------

Main Dimensions & Performance Data

d	20 mm	Bore diameter
L	108 mm	Length total
H ₂	56,5 mm	Height
C _{0r G}	1.100 N	Load carrying capacity (housing)
C _r	13.600 N	Basic dynamic load rating, radial
C _{0r}	6.600 N	Basic static load rating, radial
≈m	0,37 kg	Weight

Mounting dimensions

J	86 mm	Distance fixing bore
N	11,5 mm	Fixing bore

Dimensions

H	28,6 mm	Distance shaft axis
A	31,8 mm	Width (base)
A ₁	23,5 mm	Width (head)
H ₁	4 mm	Height (base)



Additional information

f ₀	13,1	Calculation factor
	GEH52-BT	Housing
	GRG.RABR47/52-AH01	Rubber interliner designation
	RAE20-XL-NPP-B	Bearing designation

Temperature range

T _{min}	-20 °C	Operating temperature min.
T _{max}	120 °C	Operating temperature max.