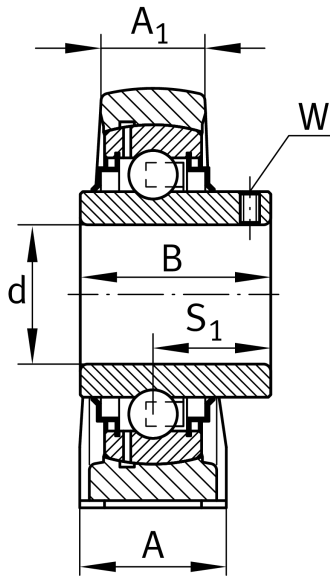
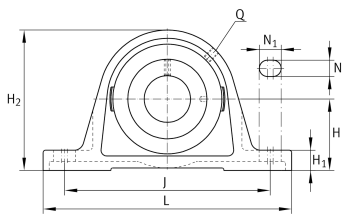


**RASEY25-TV-VA-HLA**

Plummer block housing unit

Plummer block housing unit RASEY...-TV-VA,  
RIBB plastic

## Technical information



## Your current product variant

Special material	TV	Plastic housing
Corrosion resistant bearing	VA	Corrosion-resistant VA design
Material	TV	Plastic

## Main Dimensions &amp; Performance Data

d	25 mm	Bore diameter
L	140,5 mm	Length
H <sub>2</sub>	71 mm	Height
≈m	0,343 kg	Weight

## Mounting dimensions

J	105 mm	Distance fixing bore
N	11 mm	Width (slot)
N <sub>1</sub>	14 mm	Length (slot)

## Dimensions

H	36,5 mm	Distance shaft axis
A	38 mm	Width (base)
H <sub>1</sub>	14,5 mm	Height (base)
S	19,8 mm	Distance raceway
B	34,1 mm	Width
Q	1/4 - 28 UNF	Connection thread for lubrication



### Additional information

GEH.ASE05-TV	Housing
GYE25-KRR-B-FA107-VA-HLA	Bearing designation
KASK05-S-G	End cap
KASK05-S-R-NBR	Open protecting cap

### Temperature range

T <sub>min</sub>	-20 °C	Operating temperature min.
T <sub>max</sub>	100 °C	Operating temperature max.