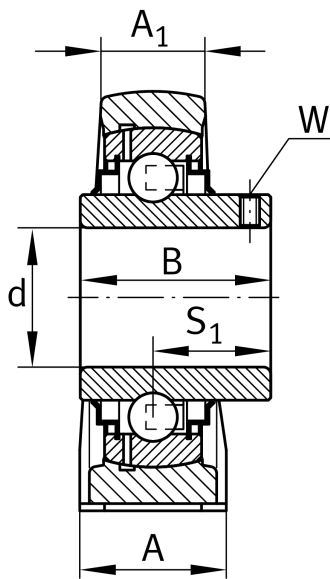
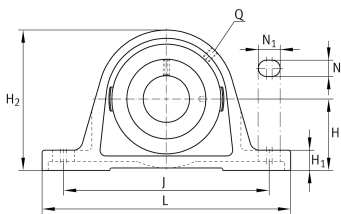


**RASEY30-TV-VA-HLA**

Plummer block housing unit

Plummer block housing unit RASEY...-TV-VA,
RIBB plastic

Technical information

**Your current product variant**

Special material	TV	Plastic housing
Corrosion resistant bearing	VA	Corrosion-resistant VA design
Material	TV	Plastic

Main Dimensions & Performance Data

d	30 mm	Bore diameter
L	163 mm	Length
H ₂	84 mm	Height
≈m	0,522 kg	Weight

Mounting dimensions

J	119 mm	Distance fixing bore
N	14 mm	Width (slot)
N ₁	18 mm	Length (slot)

Dimensions

H	42,9 mm	Distance shaft axis
A	46 mm	Width (base)
H ₁	17,8 mm	Height (base)
S	22,2 mm	Distance raceway
B	38,1 mm	Width
Q	1/4 - 28 UNF	Connection thread for lubrication



Additional information

GEH.ASE06-TV	Housing
GYE30-KRR-B-FA107-VA-HLA	Bearing designation
KASK06-S-G	End cap
KASK06-S-R-NBR	Open protecting cap

Temperature range

T _{min}	-20 °C	Operating temperature min.
T _{max}	100 °C	Operating temperature max.