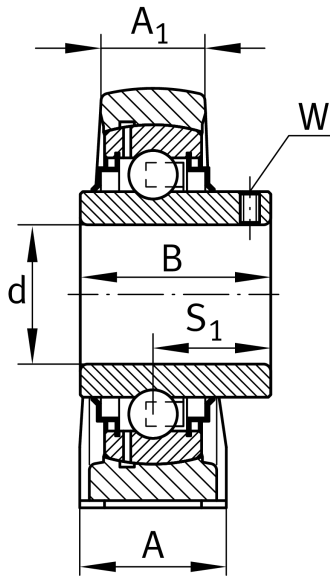
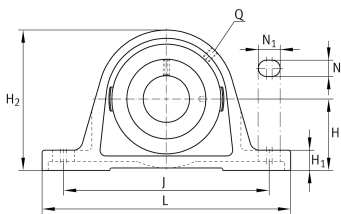


**RASEY35-TV-VA-HLA**

Plummer block housing unit

Plummer block housing unit RASEY...-TV-VA,  
RIBB plastic

## Technical information



## Your current product variant

Special material	TV	Plastic housing
Corrosion resistant bearing	VA	Corrosion-resistant VA design
Material	TV	Plastic

## Main Dimensions &amp; Performance Data

d	35 mm	Bore diameter
L	168 mm	Length
H <sub>2</sub>	94,5 mm	Height
≈m	0,741 kg	Weight

## Mounting dimensions

J	127 mm	Distance fixing bore
N	14 mm	Width (slot)
N <sub>1</sub>	18 mm	Length (slot)

## Dimensions

H	47,6 mm	Distance shaft axis
A	48 mm	Width (base)
H <sub>1</sub>	18 mm	Height (base)
S	25,4 mm	Distance raceway
B	42,9 mm	Width
Q	1/4 - 28 UNF	Connection thread for lubrication



### Additional information

GEH.ASE07-TV	Housing
GYE35-KRR-B-FA107-VA-HLA	Bearing designation
KASK07-S-G	End cap
KASK07-S-R-NBR	Open protecting cap

### Temperature range

T <sub>min</sub>	-20 °C	Operating temperature min.
T <sub>max</sub>	100 °C	Operating temperature max.