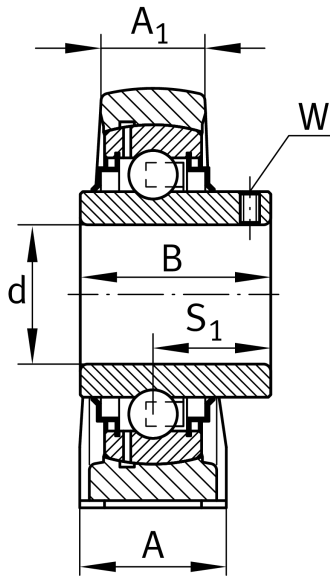
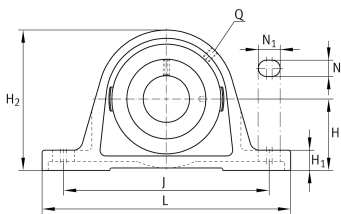


**RASEY50-TV-VA-HLA**

Plummer block housing unit

Plummer block housing unit RASEY...-TV-VA,
RIBB plastic

Technical information



Your current product variant

Special material	TV	Plastic housing
Corrosion resistant bearing	VA	Corrosion-resistant VA design
Material	TV	Plastic

Main Dimensions & Performance Data

d	50 mm	Bore diameter
L	206 mm	Length
H ₂	114 mm	Height
≈m	1,304 kg	Weight

Mounting dimensions

J	159 mm	Distance fixing bore
N	17 mm	Width (slot)
N ₁	20 mm	Length (slot)

Dimensions

H	57,2 mm	Distance shaft axis
A	60 mm	Width (base)
H ₁	23 mm	Height (base)
S	32,6 mm	Distance raceway
B	51,6 mm	Width
Q	1/4 - 28 UNF	Connection thread for lubrication



Additional information

GEH.ASE10-TV	Housing
GYE50-KRR-B-FA107-VA-HLA	Bearing designation
KASK10-S-G	End cap
KASK10-S-R-NBR	Open protecting cap

Temperature range

T _{min}	-20 °C	Operating temperature min.
T _{max}	100 °C	Operating temperature max.