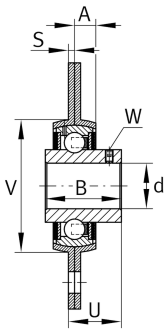
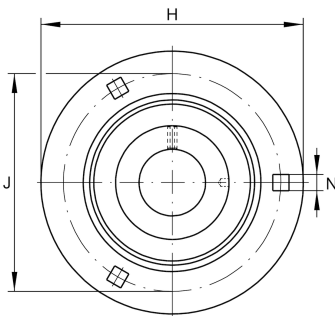


**RRY25-VA**

Flanged housing unit

Housing units RRY..-VA, three/four-bolt flanged housing units, sheet steel, grub screws in inner ring, R seals, with anti-corrosion protection, without relubrication facility

Technical information



Your current product variant

Material	VA	Stainless Steel
Special material	VA	Corrosion-resistant VA design

Main Dimensions & Performance Data

d	25 mm	Bore diameter
H	95 mm	Height flange
U	21,7 mm	Total height unit
C _r	13.400 N	Basic dynamic load rating, radial
C _{0r}	7.500 N	Basic static load rating, radial
C _{ur}	370 N	Fatigue load limit, radial
C _{0rG}	3.650 N	Load carrying capacity (housing)
≈m	0,37 kg	Weight

Mounting dimensions

J	76 mm	Pitch circle diameter (holes)
N	8,7 mm	Fixing square
n	3	Number of screwing holes



Dimensions

A	8,7 mm	Height housing
B	34,1 mm	Width
S	2 mm	Thickness of flange
V	60 mm	Shoulder diameter housing

Additional information

2	Number of housings
FLAN52-MSB-VA	Housing
GYE25-KRR-B-VA	Bearing designation

Temperature range

T _{min}	-35 °C	Operating temperature min.
T _{max}	100 °C	Operating temperature max.