

**TCJT65-214-XL**

Flanged housing unit

Housing units TCJT, two-bolt flanged housing units, cast iron, eccentric locking collar, T seals

X-life

Technical information

Your current product variant

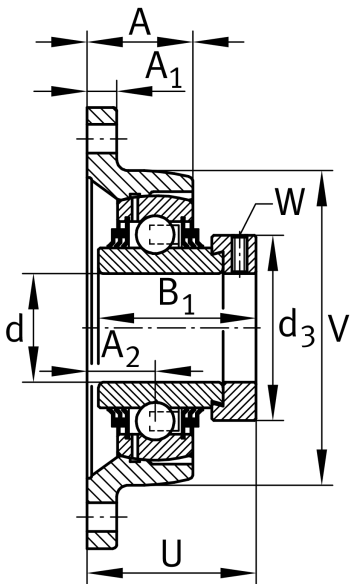
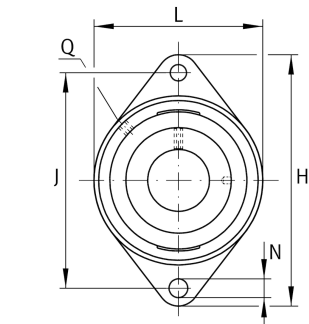
| | | |
|----------|----|----------------|
| Material | GG | Grey cast iron |
|----------|----|----------------|

Main Dimensions & Performance Data

| | | |
|-----------------|----------|-----------------------------------|
| d | 65 mm | Bore diameter |
| L | 160 mm | Flange width |
| H | 258 mm | Height flange |
| U | 82,6 mm | Total height unit |
| C _r | 62.000 N | Basic dynamic load rating, radial |
| C _{0r} | 44.000 N | Basic static load rating, radial |
| C _{ur} | 2.090 N | Fatigue load limit, radial |
| ≈m | 5,68 kg | Weight |

Mounting dimensions

| | | |
|---|--------|--------------------------|
| J | 216 mm | Distance fixing bore |
| N | 21 mm | Fixing bore |
| n | 2 | Number of screwing holes |





Dimensions

| | | |
|----------------|--------|-----------------------------------|
| A | 57 mm | Height housing |
| A ₁ | 18 mm | Thickness of flange |
| A ₂ | 38 mm | Distance raceway |
| V | 160 mm | Shoulder diameter housing |
| Q | M6 | Connection thread for lubrication |

Additional information

| | |
|-------------------|---------------------|
| 1 | Number of housings |
| CJT13/14 | Housing |
| GE65-214-XL-KTT-B | Bearing designation |

Temperature range

| | | |
|------------------|--------|----------------------------|
| T _{min} | -20 °C | Operating temperature min. |
| T _{max} | 120 °C | Operating temperature max. |