

**TCJT55-XL**

## Flanged housing unit

Housing units TCJT, two-bolt flanged housing units, cast iron, eccentric locking collar, T seals

X-life

## Technical information

## Your current product variant

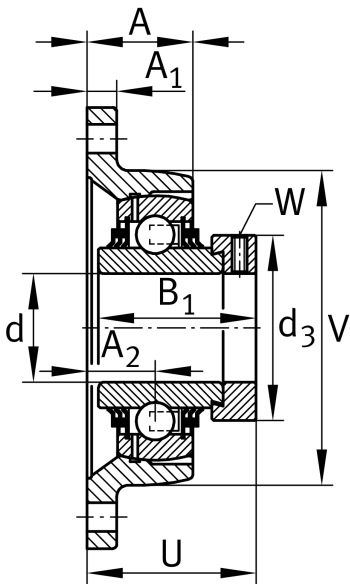
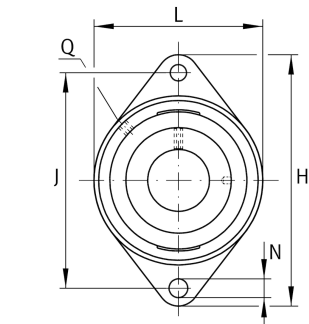
Material	GG	Grey cast iron
----------	----	----------------

## Main Dimensions &amp; Performance Data

d	55 mm	Bore diameter
L	134 mm	Flange width
H	222 mm	Height flange
U	74,6 mm	Total height unit
C <sub>r</sub>	43.500 N	Basic dynamic load rating, radial
C <sub>0r</sub>	29.000 N	Basic static load rating, radial
C <sub>ur</sub>	1.240 N	Fatigue load limit, radial
≈m	3,14 kg	Weight

## Mounting dimensions

J	184 mm	Distance fixing bore
N	18 mm	Fixing bore
n	2	Number of screwing holes
W	5 mm	Width of flats





### Dimensions

A	43,5 mm	Height housing
A <sub>1</sub>	15 mm	Thickness of flange
A <sub>2</sub>	31 mm	Distance raceway
B <sub>1</sub>	71,4 mm	Locking collar total width
V	134 mm	Shoulder diameter housing
Q	M6	Connection thread for lubrication
d <sub>3</sub>	76 mm	Outside diameter locking collar

### Additional information

1	Number of housings
CJT11	Housing
GE55-XL-KTT-B	Bearing designation

### Temperature range

T <sub>min</sub>	-20 °C	Operating temperature min.
T <sub>max</sub>	120 °C	Operating temperature max.